

38 001 668



Wash place specifications

- Basin Ø mm
- No overflow
- Spout cannot be closed off
- White glazed steel surface
- Outlet cover, white
- Frame and siphon cover, matt black powder-coated
- Glass shelf
- Dimensions 600 x 547 x 360 mm
- Weight 25 kg

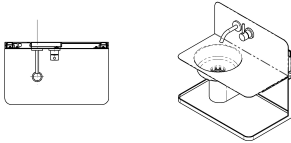
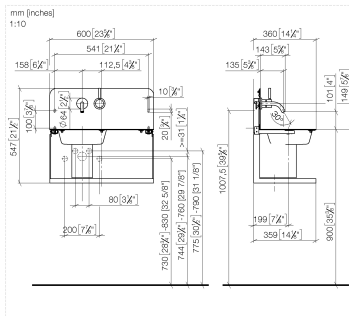
Fittings specifications

- 135mm projection
- Matt black finish (-33)
- fixed spout
- circular, air-enriched flow
- rosette for spout Ø 64mm
- rosette for mixer Ø 64 mm
- max. flow 4.5 l/min
- lead-free
- 2 x pressure hose with 3/8" cap nut

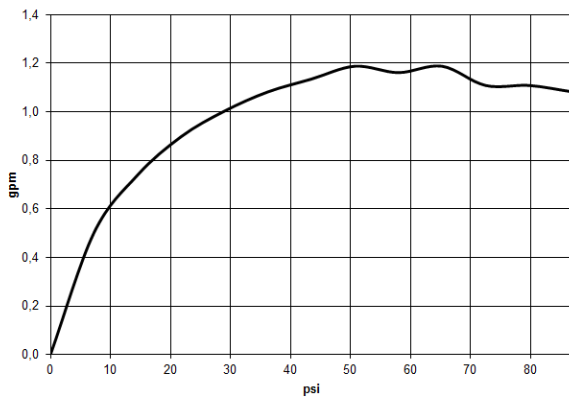
Note: Please observe local regulations when arranging angle valves inside vs. outside the trap cover.

Without dowels (to adapt the structural situation)

38 001 668



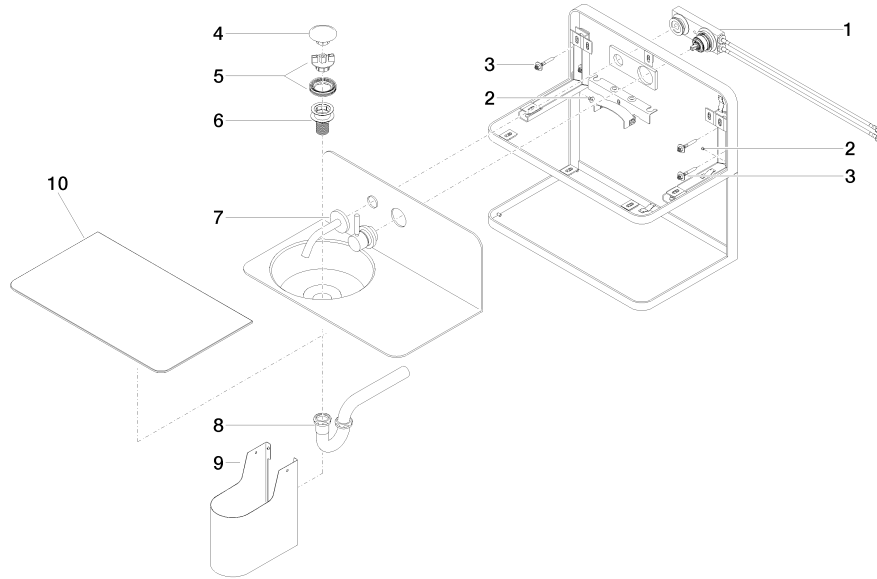
Flow rate chart



Certificates

IAPMO_7899.

38 001 668



Spare parts list

| No. | Item Number | Name | Quantity used | Delivery time |
|-----|--------------------|------------------|---------------|---------------|
| 1 | 35 817 970-90 0010 | pre-installation | 1 | 60 |
| 2 | 90 23 10 002 00 90 | fixing set | 1 | 2 |
| 3 | 90 23 10 001 00 90 | fixing set | 1 | 2 |
| 4 | 90 11 01 027 00-12 | lid | 1 | 30 |
| 5 | 90 14 03 001 00 90 | gasket kit | 1 | 2 |
| 6 | 90 11 01 007 00 90 | valve | 1 | 2 |
| 7 | 36 811 668-33 0010 | fitting | 1 | 60 |
| 8 | 90 28 23 002 00 90 | pipings | 1 | 2 |
| 9 | 90 11 01 028 00 90 | cover | 1 | 2 |
| 10 | 90 10 01 239 00 90 | shelf | 1 | 2 |