

38 003 668



**Wash place specifications**

- Basin Ø mm
- Basin on right
- Overflow
- Drain opens/closes
- White glazed steel surface
- Outlet cover, white
- Frame and siphon cover, matt black powder-coated
- Glass shelf
- Dimensions 1000 x 640 x 490 mm
- Weight 45 kg

**Fittings specifications**

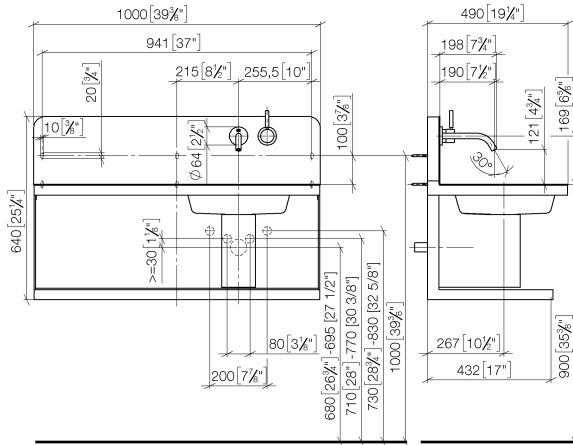
- 190mm projection
- Matt black finish (-33)
- fixed spout
- circular, air-enriched flow
- rosette for spout Ø 64mm
- rosette for mixer Ø 64 mm
- max. flow 4,5 l/min
- lead-free
- 2 x pressure hose with 3/8" cap nut

Note: Please observe local regulations when arranging angle valves inside vs. outside the trap cover.

Without dowels (to adapt the structural situation)

38 003 668

mm [inches]  
1:10



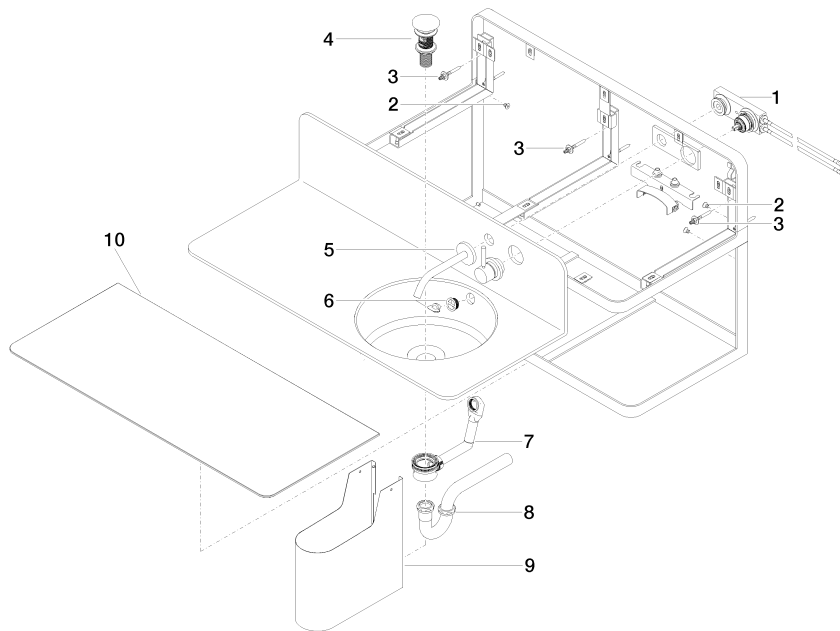
**Codes & Standards**

ASME A112.19.1      cUPC

**Certificates**

IAPMO\_7

38 003 668



**Spare parts list**

No.	Item Number	Name	Quantity used	Delivery time
	1 35 817 970-90 0010	pre-installation	1	60
	2 90 23 10 002 00 90	fixing set	1	2
	3 90 23 10 045 00 90	fixing set	3	2
	4 90 11 01 016 00-12	valve	1	30
	5 36 815 668-33 0010	fitting	1	60
	6 90 11 01 210 05-33	rosette	1	30
	7 90 28 23 001 00 90	pop-up waste	1	2
	8 90 28 23 002 00 90	piping	1	2
	9 90 11 01 029 00 90	cover	1	2
	10 90 10 01 240 00 90	shelf	1	2