

Washstand fitting with electronic opening and closing function without pop-up waste - Chrome

TARA

44 521 660



Fits: TARA, META

- Infrared sensor technology
- 165mm projection
- height of mixer 310 mm
- height up to aerator 199 mm
- hole diameter 35 mm
- fixed spout
- max. flow 1.9 l/min
- laminar flow
- suitable for thermal disinfection
- Automatic shut-off after pre-set time is reached
- Indirect temperature control (undercounter)
- Control box included
- Adjustable sensor detection range
- Battery or plug-in power supply operated (batteries not included)
- 4x AA (1.5V) batteries required
- lead-free
- 1x screw-in M 8 x 1 pressure hose, leak-tested
- This product can help a building meet the requirements of Green Building Rating Systems, e.g. LEED®, BREEAM®, DGNB

Batteries not included

Caution: A temperature stabiliser is recommended for installations in public areas. Please observe your local building codes.

	Chrome	44 521 660-00 0010
	Brushed Platinum	44 521 660-06 0010
	Platinum	44 521 660-08 0010
	Dark Chrome	44 521 660-19 0010
	Light Gold	44 521 660-26 0010
	Brushed Light Gold	44 521 660-27 0010
	Brushed Durabronze (23kt Gold)	44 521 660-28 0010
	Brushed Bronze	44 521 660-42 0010
	Brushed Champagne (22kt Gold)	44 521 660-46 0010
	Champagne (22kt Gold)	44 521 660-47 0010
	Brushed Chrome	44 521 660-93 0010
	Brushed Dark Platinum	44 521 660-99 0010

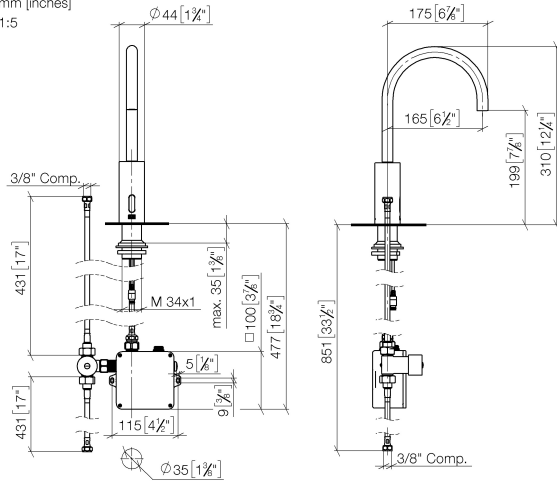
Washstand fitting with electronic opening and closing function without pop-up waste - Chrome

TARA

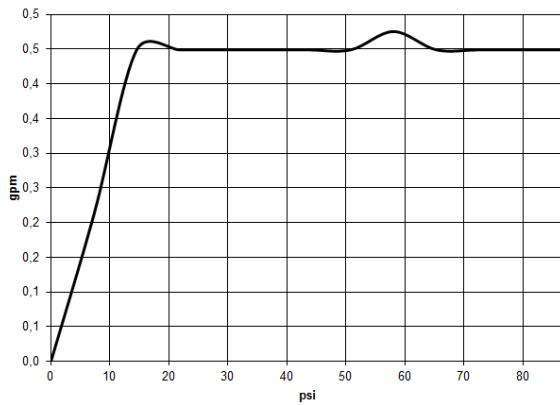
44 521 660

mm [inches]

1:5



Flow rate chart



Codes & Standards

California Energy
Commission
(CEC)



Washstand fitting with electronic opening and closing function without pop-up
waste - Chrome

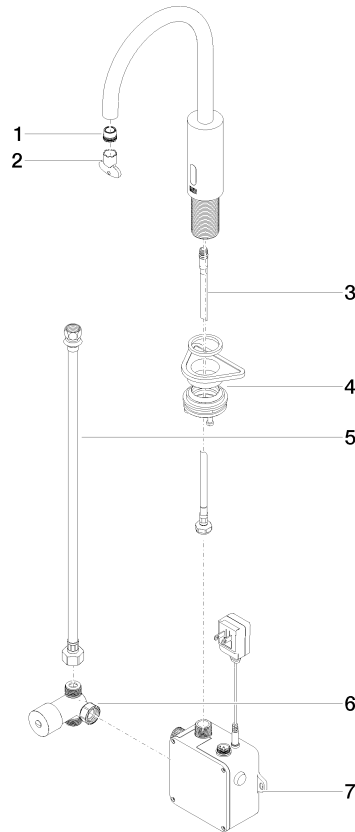
TARA

44 521 660

Certificates

IAPMO_6397 (2). IAPMO_4976 (7).

44 521 660



Spare parts list

No.	Item Number	Name	Quantity used	Delivery time
1	09 29 03 094 90	aerator	1	2
2	90 30 09 028 00 90	key	1	2
3	04 30 04 108 00 90	hose	1	60
4	04 23 10 044 08 90	fixing set	1	2
5	12 506 970 90	High pressure hoses -	1	2
6	90 30 50 081 00 90	valve	1	2
7	90 10 01 247 02 90	valve box	1	60