


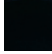



EDITION PRO Tissue holder without cover - Chrome

83 500 626



- width 150mm
- height 95 mm
- rosette Ø 41 mm
- 38mm projection

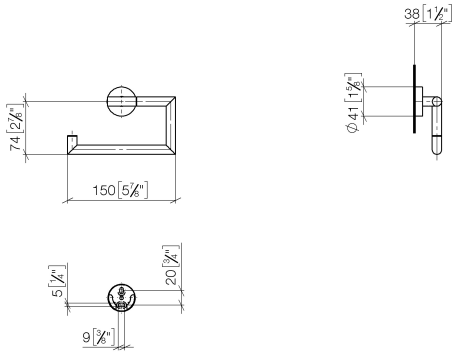
| | | |
|---|----------------|---------------|
|  | Chrome | 83 500 626-00 |
|  | Matte Black | 83 500 626-33 |
|  | Brushed Chrome | 83 500 626-93 |



EDITION PRO Tissue holder without cover - Chrome

83 500 626

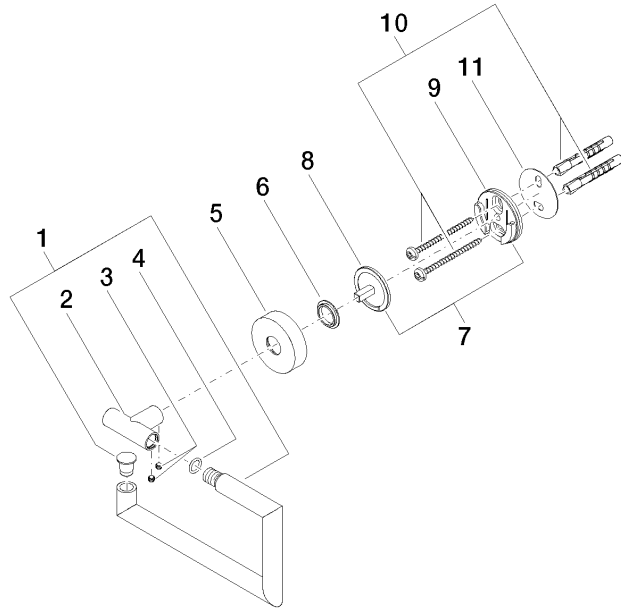
mm [inches]



EDITION PRO Tissue holder without cover - Chrome

83 500 626

Parts for other finishes can be found here: [Matte Black](#)



Spare parts list

| No. | Item Number | Name | Quantity used | Delivery time |
|-----|--------------------|------------|---------------|---------------|
| 1 | 90 28 22 626 00-00 | holder | 1 | 10 |
| 2 | 05 17 97 561 01-00 | holder | 1 | 10 |
| 3 | 90 31 11 038 00 90 | pin | 1 | 2 |
| 4 | 90 14 10 060 00 90 | seal | 1 | 2 |
| 5 | 08 27 97 500-00 | rosette | 1 | 10 |
| 6 | 08 30 11 516 90 | ring | 1 | 2 |
| 7 | 05 17 97 501 01 90 | fixing set | 1 | 2 |
| 8 | 08 17 97 559 90 | holder | 1 | 2 |
| 9 | 08 17 97 501 07 | holder | 1 | 2 |
| 10 | 05 30 31 025 00 90 | fixing set | 1 | 2 |
| 11 | 05 30 11 519 00 90 | disc | 1 | 2 |