




## EDITION PRO Tissue holder with cover - Brushed Chrome

---

83 510 626



- width 150mm
- height 95 mm
- rosette Ø 40 mm
- 40mm projection

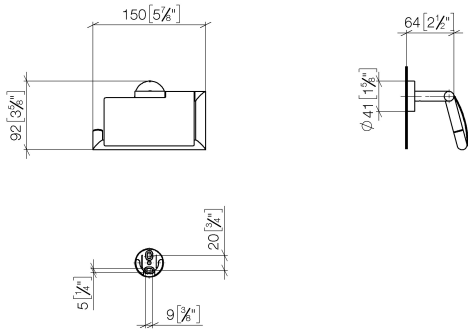
	Brushed Chrome	83 510 626-93
	Chrome	83 510 626-00
	Matte Black	83 510 626-33

## EDITION PRO Tissue holder with cover - Brushed Chrome

---

83 510 626

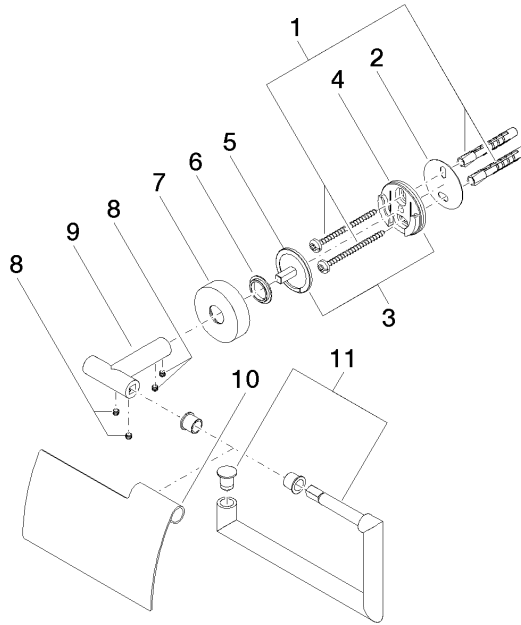
mm [inches]



**EDITION PRO Tissue holder with cover - Brushed Chrome**

83 510 626

Parts for other finishes can be found here: [Chrome](#)



**Spare parts list**

No.	Item Number	Name	Quantity used	Delivery time
1	05 30 31 025 00 90	fixing set	1	2
2	05 30 11 519 00 90	disc	1	2
3	05 17 97 501 01 90	fixing set	1	2
4	08 17 97 501 07	holder	1	2
5	08 17 97 559 90	holder	1	2
6	08 30 11 516 90	ring	1	2
7	08 27 97 500-93	rosette	1	20
8	90 31 11 038 00 90	pin	4	2
9	05 17 97 562 01-93	holder	1	20
10	08 11 02 514-93	lid	1	20
11	90 28 22 628 00-93	holder	1	20