

ST 010 100 4671



- 165mm projection
- fixed spout
- rectangular, air-enriched flow
- height of mixer 220 mm
- height up to aerator 176 mm
- hole diameter 35 mm
- 2x screw-in M 10 x 1 pressure hose, leak-tested
- 1/2" connection
- max. flow 4.6 l/min
- lead-free
- automatic hygiene flush
- suitable for thermal disinfection
- adjustable follow-up time
- high-frequency sensors with self-calibration
- magnetic valve
- 100-240 V AC / 12 V DC, 50-60 Hz, 18 W power supply unit, incl. country-specific adapter set

Individual components of this set

You need the following components for this set



1x 42 766 970 90



1x 13 716 671-00 0010



IMO Basin mixer without pop-up waste without temperature setting - Chrome

IMO

ST 010 100 4671

ST 010 100 4671



Fits: IMO, LULU, MADISON, MEM, TARA, CL.1, LISSÉ, VAIA, META, CYO

- automatic hygiene flush
 - suitable for thermal disinfection
 - adjustable follow-up time
 - high-frequency sensors with self-calibration
 - magnetic valve
 - 100-240 V AC / 12 V DC, 50-60 Hz, 18 W power supply unit, incl. country-specific adapter set
- Cannot be combined with basins in conducting materials (e.g. steel, river stone).
Cannot be combined with basins that have a closing drain.**
- ATTENTION: Separate terms and conditions for electronic articles are applicable.**

Cannot be combined with basins in conducting materials (e.g. steel, river stone).

Cannot be combined with basins that have a closing drain.

ATTENTION: Separate terms and conditions for electronic articles are applicable.

Required miscellaneous



eSET Touchfree Basin mixer without temperature setting for combining with wall-mounted fittings - 35 743 970-90 0010

- min. recess depth 90 mm
- max. recess depth 125 mm

Required miscellaneous



eSET Touchfree Basin mixer without temperature setting for combining with free-standing fittings - 35 742 970-90 0010

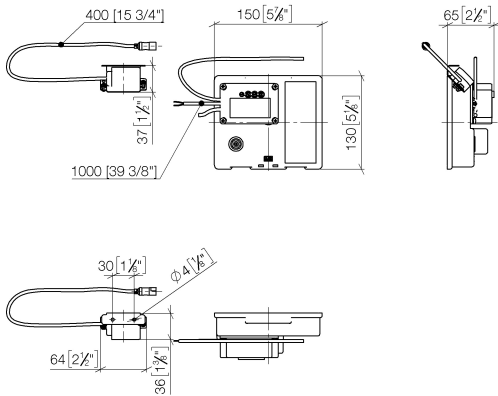
Recommended miscellaneous

Extension for Touchfree 500 mm - 12 765 970 90



ST 010 100 4671

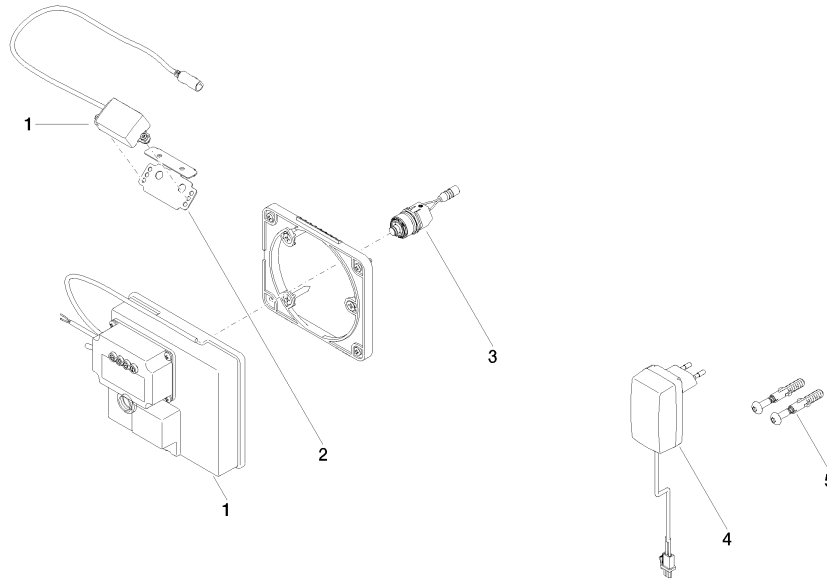
mm [inches]



Certificates

LGA_29120.	WRAS_1906116.	IAPMO_EGS.	CE000001_eSet_Tou chfree_20171206_D E_signed.	CE000002_eSet_Tou chfree_20171206_E N_signed.
LGA_29119.				

ST 010 100 4671



Spare parts list



No.	Item Number	Name	Quantity used	Delivery time
1	90 10 01 177 00 90	electronic accessories	1	2
2	90 17 20 199 00 90	holder	1	2
3	04 30 50 079 00 90	valve	1	2
4	04 10 01 050 00 90	power supply	1	60
5	04 30 31 024 01 90	fixing set	1	2

ST 010 100 4671



- 165mm projection
- fixed spout
- rectangular, air-enriched flow
- height of mixer 220 mm
- height up to aerator 176 mm
- hole diameter 35 mm
- rosette 60 x 60 mm
- 2x screw-in M 10 x 1 pressure hose, leak-tested
- 1/2" connection
- max. flow 4.6 l/min
- lead-free
- This product can help a building meet the requirements of Green Building Rating Systems, e.g. LEED®, BREEAM®, DGNB

For Touchfree control please order eSet Touchfree WITH or WITHOUT temperature adjustment

	Chrome	13 716 671-00 0010
	Brushed Chrome	13 716 671-93 0010



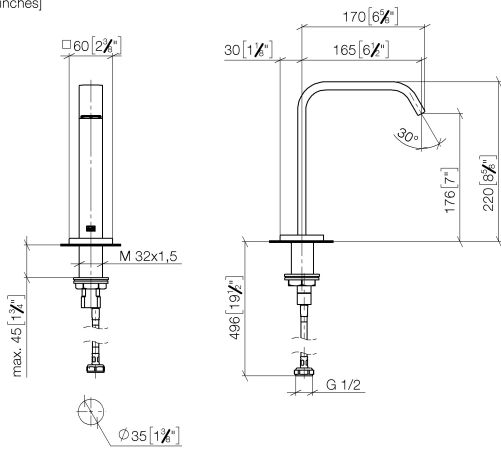
IMO Basin mixer without pop-up waste without temperature setting - Chrome

IMO

ST 010 100 4671

ST 010 100 4671

mm [inches]



Flow rate chart

