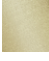
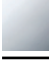
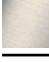





ST 050 201 8710



- slide bar
- Pipe diameter 18 mm
- Four settings: COMPACT RAIN, COMPACT SOFT FLOW, COMPACT AQUAPRESSURE FLOW, COMPACT CASCADE, max. flow rate 6.8 l/min (at 3 bar)
- rosette 78 x 55 mm
- gauge 800 mm
- metal shower hose 1750mm with integrated anti-twist protection
- shower hose connector 3/8"
- spray head Ø 120mm
- This product can help a building meet the requirements of Green Building Rating Systems, e.g. LEED®, BREEAM®, DGNB

	Brushed Durabross (23kt Gold)	ST 050 201 8710-28 0010
	Chrome	ST 050 201 8710-00 0010
	Brushed Platinum	ST 050 201 8710-06 0010
	Platinum	ST 050 201 8710-08 0010
	Matte Black	ST 050 201 8710-33 0010
	Brushed Dark Platinum	ST 050 201 8710-99 0010

Individual components of this set

You need the following components for this set



1x 26 413 710-28



1x 28 012 979-28 0010



LULU Shower set - Brushed Durabross (23kt Gold)

LULU

ST 050 201 8710

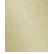
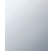

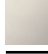


ST 050 201 8710




- slide bar
- rosette 78 x 55 mm
- gauge 800 mm
- metal shower hose 1750mm with integrated anti-twist protection
- shower hose connector 3/8"
- Pipe diameter 18 mm

This article does not include a hand shower!


NOTE: Hand shower sold separately. Please see hand shower options under the miscellaneous articles section of each series.

	Brushed Durabron (23kt Gold)	26 413 710-28
	Chrome	26 413 710-00
	Brushed Platinum	26 413 710-06
	Platinum	26 413 710-08
	Matte Black	26 413 710-33
	Brushed Dark Platinum	26 413 710-99


Required miscellaneous

	Hand shower FlowReduce - Brushed Durabron (23kt Gold)	28 012 979-28 0010
---	--	-----------------------

Required miscellaneous

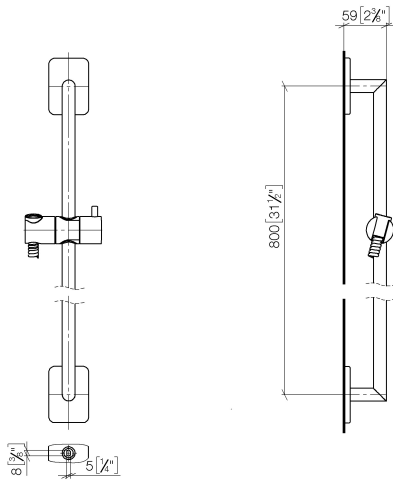
	Hand shower FlowReduce - Brushed Durabron (23kt Gold)	28 016 979-28 0010
---	--	-----------------------

Required miscellaneous

	Hand shower FlowReduce - Brushed Durabron (23kt Gold)	28 018 979-28 0010
---	--	-----------------------

ST 050 201 8710

mm [inches]

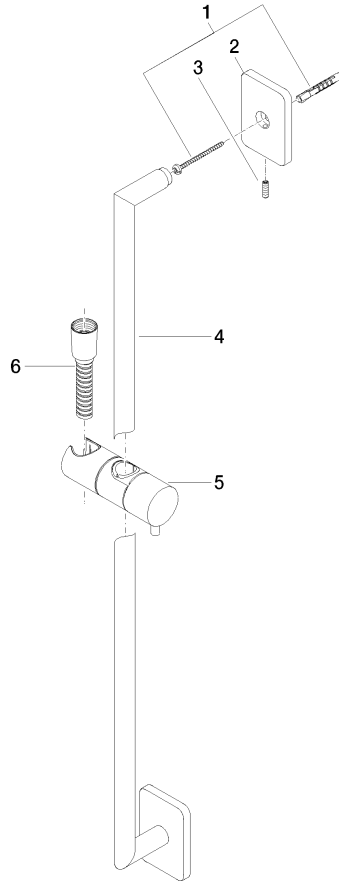


Certificates

WRAS_2009048. ACS_20 ACC LY 738.

ST 050 201 8710

Parts for other finishes can be found here: Chrome



Spare parts list

No.	Item Number	Name	Quantity used	Delivery time
1	05 30 31 025 00 90	fixing set	2	2
2	09 27 71 005-28	rosette	2	20
3	09 31 11 013 90	pin	2	2
4	05 28 22 590 01-28	bar	1	20
5	12 580 970-28	Slide unit - Brushed Durabron (23kt Gold)	1	20
6	28 322 970-28	Metal shower hose 1/2" x 3/8" x 1750 mm - Brushed Durabron (23kt Gold)	1	20

ST 050 201 8710



Fits: IMO, LULU, MADISON, MEM, TARA, CL.1, LISSÉ, VAIA, META, CYO

- Four settings: COMPACT RAIN, COMPACT SOFT FLOW, COMPACT AQUAPRESSURE FLOW, COMPACT CASCADE, max. flow rate 6.8 l/min (at 3 bar)
- with anti-scale system
- spray head Ø 120mm
- 1/2" connection
- This product reduces water consumption by % (compared to requirements of EAct '92)
- This product can contribute to Water Use Reduction in LEED® Green Building Rating
- This product can help a building meet the requirements of Green Building Rating Systems, e.g. LEED®, BREEAM®, DGNB

Intrinsic protection against back flow.

	Brushed Durabross (23kt Gold)	28 012 979-28 0010
	Chrome	28 012 979-00 0010
	Brushed Platinum	28 012 979-06 0010
	Platinum	28 012 979-08 0010
	Dark Chrome	28 012 979-19 0010
	Light Gold	28 012 979-26 0010
	Brushed Light Gold	28 012 979-27 0010
	Matte Black	28 012 979-33 0010
	Brushed Bronze	28 012 979-42 0010
	Brushed Champagne (22kt Gold)	28 012 979-46 0010
	Champagne (22kt Gold)	28 012 979-47 0010
	Brushed Chrome	28 012 979-93 0010
	Brushed Dark Platinum	28 012 979-99 0010



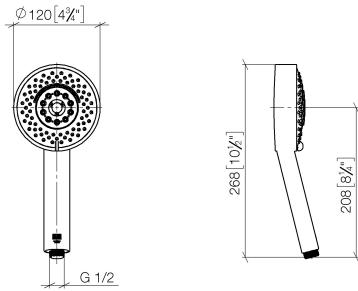
LULU Shower set - Brushed Durabross (23kt Gold)

LULU

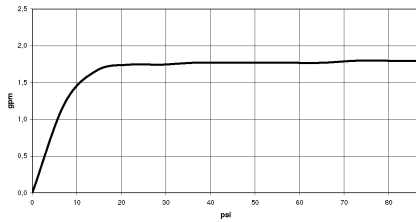
ST 050 201 8710

ST 050 201 8710

mm [inches]



Flow rate chart



Codes & Standards

ASME A112.18.1/CSA B125.1	California Energy Commission (CEC)
---------------------------------	--

Certificates

LGA_29980.



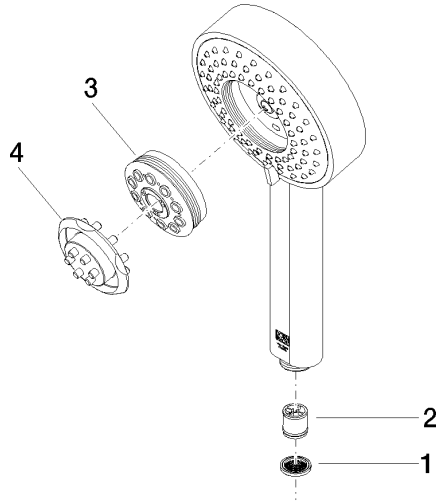
LULU Shower set - Brushed Durabross (23kt Gold)

LULU

ST 050 201 8710

ST 050 201 8710

Parts for other finishes can be found here: [Chrome](#)



Spare parts list

No.	Item Number	Name	Quantity used	Delivery time
1	09 23 01 039 90	sieve	1	2
2	09 23 01 166 90	flow reducer	1	2
3	04 12 11 071 00 90	shower	1	2
4	09 30 09 022 90	key	1	2