

ST 050 305 3979



Fits: IMO, LULU, TARA, LISSÉ, VAIA, META, CYO

- shower with fixed riser projection 453mm
  - Rain shower: PURE RAIN, max. flow rate 6.8 l/min (at 3 bar)
  - rain shower Ø 220 mm
  - rain shower with anti-scale system
  - Hand shower: COMPACT RAIN, max. flow rate 6.8 l/min (at 3 bar)
  - spray head Ø 100mm
  - rotary diverter with volume control and shut-off function
  - slide-on rosettes Ø 70 mm
  - height of fittings up to rain shower (bottom edge) 1009mm
  - height of fittings up to top edge of elbow 1150mm
  - gauge 150 mm - 13 mm
  - metal shower hose 1750mm with integrated anti-twist protection
  - 1/2" connection
  - slide bar
  - Pipe diameter 23.5 mm
  - This product can help a building meet the requirements of Green Building Rating Systems, e.g. LEED®, BREEAM®, DGNB
- Intrinsic protection against back flow.**

**NOTE: Hand shower sold separately. Please see hand shower options under the miscellaneous articles section of each series.**

	Dark Chrome	ST 050 305 3979-19 0010
	Chrome	ST 050 305 3979-00 0010
	Brushed Platinum	ST 050 305 3979-06 0010
	Platinum	ST 050 305 3979-08 0010
	Light Gold	ST 050 305 3979-26 0010
	Brushed Light Gold	ST 050 305 3979-27 0010
	Brushed Durabronze (23kt Gold)	ST 050 305 3979-28 0010
	Matte Black	ST 050 305 3979-33 0010
	Brushed Bronze	ST 050 305 3979-42 0010
	Brushed Champagne (22kt Gold)	ST 050 305 3979-46 0010
	Champagne (22kt Gold)	ST 050 305 3979-47 0010
	Brushed Chrome	ST 050 305 3979-93 0010
	Brushed Dark Platinum	ST 050 305 3979-99 0010

**Individual components of this set**

You need the following components for this set



1x 34 459 979-19 0010



## Showerpipe with shower thermostat - Dark Chrome

---

IMO

ST 050 305 3979

ST 050 305 3979



Fits: IMO, LULU, TARA, LISSÉ, VAIA, META

- shower with fixed riser projection 453mm
  - overhead shower: rain flow
  - rain shower with anti-scale system
  - rain shower Ø 220 mm
  - max. rainshower flow 6.8 l/min
  - rotary diverter with volume control and shut-off function
  - height of fittings up to top edge of elbow 1150mm
  - slide-on rosettes Ø 70 mm
  - height of fittings up to rain shower (bottom edge) 1009mm
  - gauge 150 mm - 13 mm
  - metal shower hose 1750mm with integrated anti-twist protection
  - 1/2" connection
  - slide bar
  - Pipe diameter 23.5 mm
  - quick clearing
  - This product reduces water consumption by % (compared to requirements of EPAAct '92)
  - This product can contribute to Water Use Reduction in LEED® Green Building Rating
- Intrinsic protection against back flow.**

**NOTE: Hand shower sold separately. Please see hand shower options under the miscellaneous articles section of each series.**

Intrinsic protection against back flow.

NOTE: Hand shower sold separately. Please see hand shower options under the miscellaneous articles section of each series.

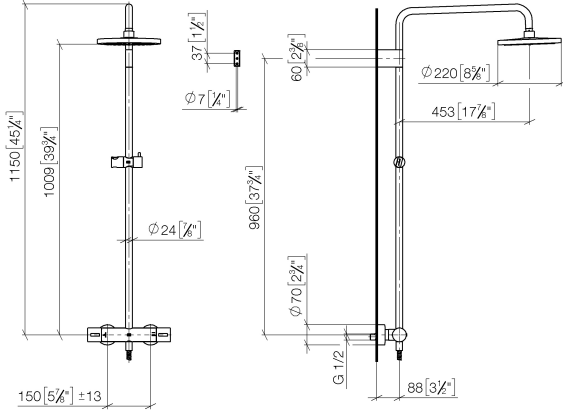
	Dark Chrome	34 459 979-19 0010
	Chrome	34 459 979-00 0010
	Brushed Platinum	34 459 979-06 0010
	Platinum	34 459 979-08 0010
	Light Gold	34 459 979-26 0010
	Brushed Light Gold	34 459 979-27 0010
	Brushed Durabronze (23kt Gold)	34 459 979-28 0010
	Matte Black	34 459 979-33 0010
	Brushed Bronze	34 459 979-42 0010
	Brushed Champagne (22kt Gold)	34 459 979-46 0010
	Champagne (22kt Gold)	34 459 979-47 0010
	Brushed Chrome	34 459 979-93 0010
	Brushed Dark Platinum	34 459 979-99 0010

**Required miscellaneous**

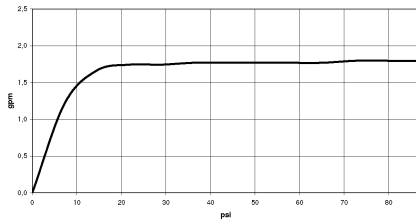
	<b>Concealed adapter -</b> ●please order two adapters (USA only)	35 080 970-90 0010
--	---------------------------------------------------------------------	-----------------------

ST 050 305 3979

mm [inches]  
1:10



Flow rate chart



Codes & Standards

ASME A112.18.1/CSA B125.1	California Energy Commission (CEC)
---------------------------------	------------------------------------------

