

ST 050 608 7979



Fits: TARA, LISSÉ, VAIA, META

- laminar flow
- rosette Ø 70 mm
- holder for Kneipp hose
- 1/2" wall elbow
- max. flow 9.5 l/min
- hose nozzle with sleeve M33
- with holding ring
- This product can help a building meet the requirements of Green Building Rating Systems, e.g. LEED®, BREEAM®, DGNB

Individual components of this set

You need the following components for this set



1x 28 285 979-00



1x 27 830 979-00 0010



WATER TUBE Kneipp wall elbow - Chrome

TARA

ST 050 608 7979

ST 050 608 7979

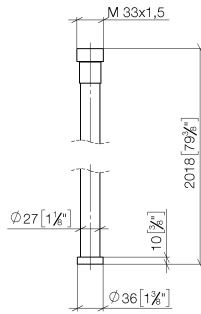


- hose nozzle with sleeve M33
- with holding ring

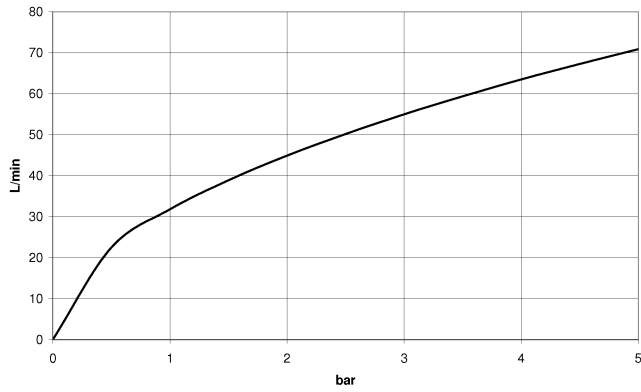
	Chrome	28 285 979-00
	Brushed Platinum	28 285 979-06
	Platinum	28 285 979-08
	Dark Chrome	28 285 979-19
	Brushed Durabronze (23kt Gold)	28 285 979-28
	Matte Black	28 285 979-33
	Brushed Champagne (22kt Gold)	28 285 979-46
	Champagne (22kt Gold)	28 285 979-47
	Brushed Chrome	28 285 979-93
	Brushed Dark Platinum	28 285 979-99

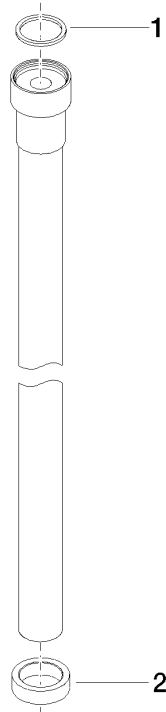
ST 050 608 7979

mm [inches]



Flow rate chart





Spare parts list

No.	Item Number	Name	Quantity used	Delivery time
1	09 14 20 003 90	seal	1	2
2	09 28 10 116-12	ring	1	30

ST 050 608 7979



- laminar flow
 - rosette Ø 70 mm
 - holder for Kneipp hose
 - 1/2" wall elbow
 - without hose
 - max. flow 9.5 l/min
 - This product can help a building meet the requirements of Green Building Rating Systems, e.g. LEED®, BREEAM®, DGNB
- Intrinsic protection against back flow.**

Fits: IMO, LULU, MADISON, MEM, TARA, CL.1, LISSÉ, VAIA, META, CYO

Intrinsic protection against back flow.

Required miscellaneous



Concealed adapter -

35 080 970-90
0010

Required miscellaneous



WATER TUBE Kneipp hose white 2000 mm - Chrome 28 285 979-00

- with holding ring
- hose nozzle with sleeve M33

Required miscellaneous



WATER TUBE Kneipp hose black 2000 mm - Chrome 28 286 979-00

- with holding ring
- hose nozzle with sleeve M33



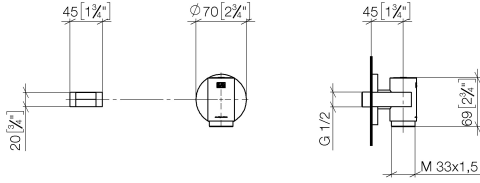
WATER TUBE Kneipp wall elbow - Chrome

TARA

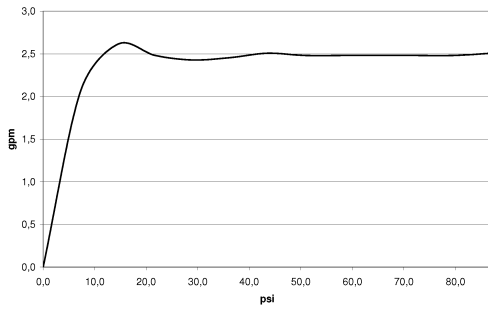
ST 050 608 7979

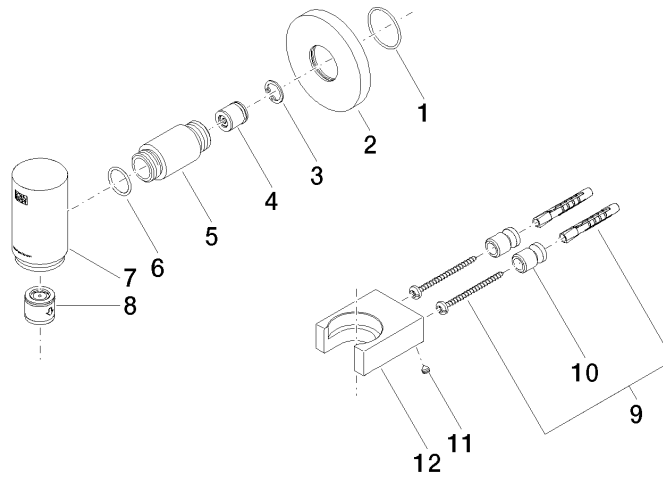
ST 050 608 7979

mm [inches]



Flow rate chart





Spare parts list

No.	Item Number	Name	Quantity used	Delivery time
1	09 14 10 135 90	seal	1	2
2	09 27 97 020-00	rosette	1	10
3	09 16 01 014 90	ring	1	2
4	09 23 01 069 90	flow reducer	1	2
5	09 24 04 544-00	nipple	1	10
6	09 14 10 053 90	seal	1	2
7	09 11 03 126-00	connection	1	10
8	90 23 01 045 00 90	back-flow preventer	1	2
9	05 17 20 726 02 90	fixing set	1	2
10	08 17 20 726 90	holder	2	2
11	09 31 11 148 90	pin	2	2
12	09 17 20 023-00	holder	1	10