

ST 110 100 2682



- 241mm projection
- pivotable spout 360°
- Optional swivel limiter available with swivel limiter set 12 820 970 90
- air-enriched flow and spray flow
- automatic spout/shower diverter
- height of mixer 357 mm
- height up to aerator 215 mm
- individual rosette 60 x 60 mm
- hole diameter spout 35 mm
- single-lever mixer hole diameter 35 mm
- hole diameter rinsing spray 32mm
- 2 x pressure hose with 3/8" cap nut
- fabric braided hose 1500 mm
- sprayface with anti-scaling system
- max. flow 5.7 l/min at 3 bar flow pressure
- lead-free
- This product can help a building meet the requirements of Green Building Rating Systems, e.g. LEED®, BREEAM®, DGNB

	Chrome	ST 110 100 2682-00 0010
	Brushed Platinum	ST 110 100 2682-06 0010
	Platinum	ST 110 100 2682-08 0010
	Durabronze (23kt Gold)	ST 110 100 2682-09 0010
	Dark Chrome	ST 110 100 2682-19 0010
	Brushed Durabronze (23kt Gold)	ST 110 100 2682-28 0010
	Matte Black	ST 110 100 2682-33 0010
	Brushed Champagne (22kt Gold)	ST 110 100 2682-46 0010
	Champagne (22kt Gold)	ST 110 100 2682-47 0010
	Brushed Chrome	ST 110 100 2682-93 0010
	Brushed Dark Platinum	ST 110 100 2682-99 0010

Individual components of this set

You need the following components for this set



1x 27 731 970-00



1x 32 815 682-00 0010



MEM Two-hole mixer with individual rosettes with rinsing spray set - Chrome

MEM

ST 110 100 2682

ST 110 100 2682



- with round rosette
- spray flow
- automatic spout/shower diverter
- height of mixer 191 mm
- hole diameter rinsing spray 32mm
- fabric braided hose 1500 mm
- sprayface with anti-scaling system
- lead-free

Can only be combined with 32815682, 33826861, 32815861, 33836888, 32816888, 20816892, 33836875, 32815875.

Intrinsic protection against back flow.

Residual water may emerge from the spray after closing.

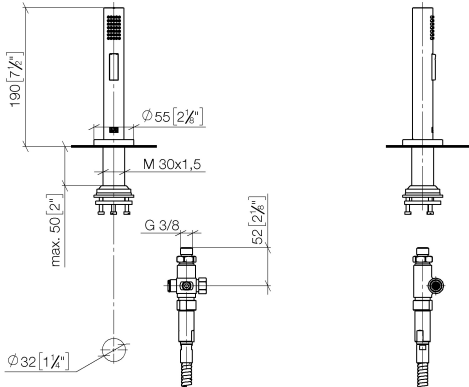
Operating unit can be positioned freely.

Button has to be pressed while using.

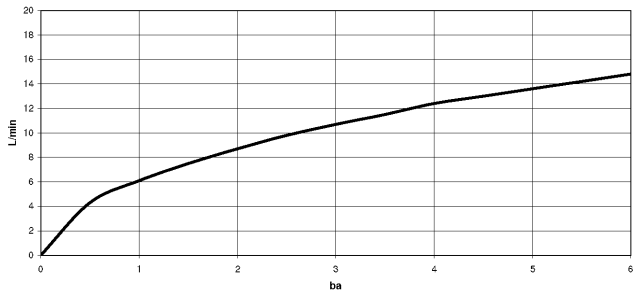
	Chrome	27 731 970-00
	Brushed Platinum	27 731 970-06
	Platinum	27 731 970-08
	Durabress (23kt Gold)	27 731 970-09
	Dark Chrome	27 731 970-19
	Brushed Durabress (23kt Gold)	27 731 970-28
	Matte Black	27 731 970-33
	Brushed Champagne (22kt Gold)	27 731 970-46
	Champagne (22kt Gold)	27 731 970-47
	Brushed Chrome	27 731 970-93
	Brushed Dark Platinum	27 731 970-99

ST 110 100 2682

mm [inches]



Flow rate chart



Certificates

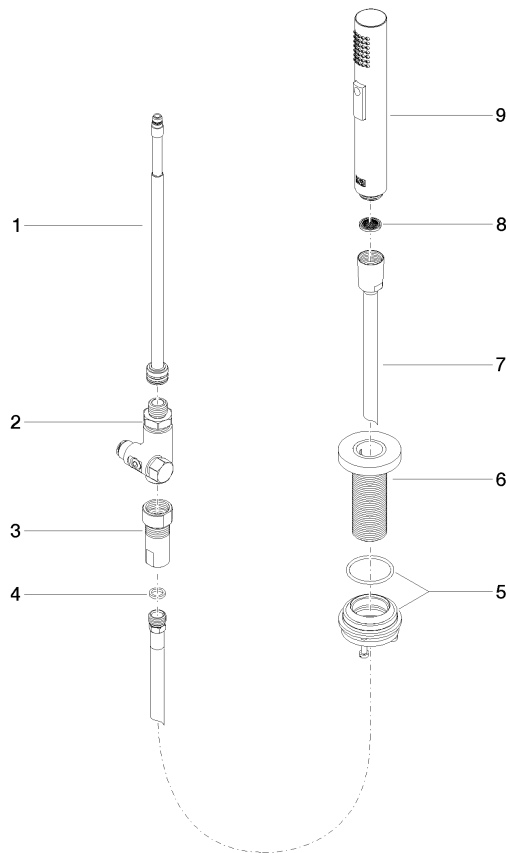
LGA_29572.

LGA_38643.

Belgaqua_24-005-27_3.

ST 110 100 2682

Parts for other finishes can be found here: [Brushed](#)
[Platinum](#)



Spare parts list

No.	Item Number	Name	Quantity used	Delivery time
1	90 28 20 068 00 90	connection	1	2
2	90 17 09 046 12 90	diverter	1	2
3	90 24 03 241 00 90	nipple	1	2
4	90 14 20 019 00 90	seal	1	2
5	04 23 10 047 00 92	fixing set	1	60
6	90 27 86 001 00-00	rosette	1	-
Spare part can no longer be ordered, please order the replacement item				
7	90 30 02 062 00-00	hose	1	2
8	09 23 01 039 90	sieve	1	2
9	04 12 11 158 00-00	shower	1	10

ST 110 100 2682



- 241mm projection
- pivotable spout 360°
- Optional swivel limiter available with swivel limiter set 12 820 970 90
- air-enriched flow
- height of mixer 357 mm
- height up to aerator 215 mm
- individual rosette 60 x 60 mm
- hole diameter spout 35 mm
- single-lever mixer hole diameter 35 mm
- 2 x pressure hose with 3/8" cap nut
- max. flow 5.7 l/min at 3 bar flow pressure
- lead-free
- This product can help a building meet the requirements of Green Building Rating Systems, e.g. LEED®, BREEAM®, DGNB

Operating unit can be positioned freely.

	Chrome	32 815 682-00 0010
	Brushed Platinum	32 815 682-06 0010
	Platinum	32 815 682-08 0010
	Durabross (23kt Gold)	32 815 682-09 0010
	Dark Chrome	32 815 682-19 0010
	Brushed Durabross (23kt Gold)	32 815 682-28 0010
	Matte Black	32 815 682-33 0010
	Brushed Champagne (22kt Gold)	32 815 682-46 0010
	Champagne (22kt Gold)	32 815 682-47 0010
	Brushed Chrome	32 815 682-93 0010
	Brushed Dark Platinum	32 815 682-99 0010

Recommended miscellaneous

	Swivel limitation set -	12 820 970 90
---	--------------------------------	---------------

Recommended miscellaneous

	AIR SWITCH Control button - Chrome	10 713 970-00
---	---	---------------

Recommended miscellaneous

	Dispenser with rosette - Chrome	82 444 970-00
---	--	---------------

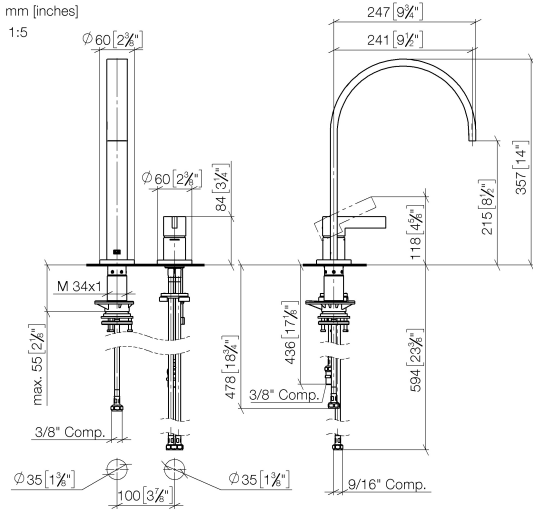


MEM Two-hole mixer with individual rosettes with rinsing spray set - Chrome

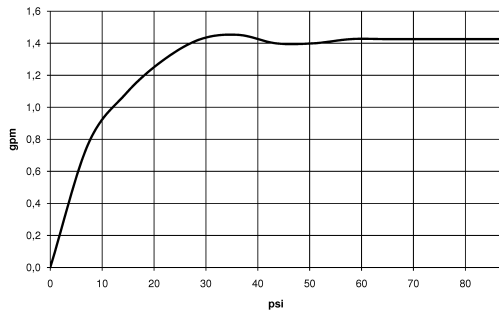
MEM

ST 110 100 2682

ST 110 100 2682



Flow rate chart



Codes & Standards

California Energy
Commission
(CEC)

