

ST 110 107 8875



- 241mm projection
- pivotable spout 360°
- air-enriched flow and spray flow
- automatic spout/shower diverter
- height of mixer 393 mm
- height up to aerator 240 mm
- single-lever mixer hole diameter 35 mm
- hole diameter rinsing spray 32mm
- 2 x pressure hose with 3/8" cap nut
- fabric braided hose 1500 mm
- sprayface with anti-scaling system
- max. flow 5.7 l/min at 3 bar flow pressure
- lead-free
- This product can help a building meet the requirements of Green Building Rating Systems, e.g. LEED®, BREEAM®, DGNB

	Chrome	ST 110 107 8875-00 0010
	Brushed Platinum	ST 110 107 8875-06 0010
	Platinum	ST 110 107 8875-08 0010
	Durabronze (23kt Gold)	ST 110 107 8875-09 0010
	Dark Chrome	ST 110 107 8875-19 0010
	Brushed Durabronze (23kt Gold)	ST 110 107 8875-28 0010
	Matte Black	ST 110 107 8875-33 0010
	Brushed Champagne (22kt Gold)	ST 110 107 8875-46 0010
	Champagne (22kt Gold)	ST 110 107 8875-47 0010
	Brushed Chrome	ST 110 107 8875-93 0010
	Brushed Dark Platinum	ST 110 107 8875-99 0010

Individual components of this set

You need the following components for this set

1x 33 826 875-00 0010



1x 27 721 970-00





TARA ULTRA Single-lever mixer with rinsing spray set - Chrome

TARA ULTRA

ST 110 107 8875

ST 110 107 8875



- 241mm projection
 - pivotable spout 360°
 - air-enriched flow
 - height of mixer 393 mm
 - height up to aerator 240 mm
 - single-lever mixer hole diameter 35mm
 - 2x US pressure hose, 3/8"
 - max. flow 5.7 l/min at 3 bar flow pressure
 - lead-free
 - This product can help a building meet the requirements of Green Building Rating Systems, e.g. LEED®, BREEAM®, DGNB
- Single-lever mixer for combining with rinsing/Profi spray only**

Single-lever mixer for combining with rinsing/Profi spray only

	Chrome	33 826 875-00 0010
	Brushed Platinum	33 826 875-06 0010
	Platinum	33 826 875-08 0010
	Durabrand (23kt Gold)	33 826 875-09 0010
	Dark Chrome	33 826 875-19 0010
	Brushed Durabrand (23kt Gold)	33 826 875-28 0010
	Matte Black	33 826 875-33 0010
	Brushed Champagne (22kt Gold)	33 826 875-46 0010
	Champagne (22kt Gold)	33 826 875-47 0010
	Brushed Chrome	33 826 875-93 0010
	Brushed Dark Platinum	33 826 875-99 0010

Required miscellaneous



Profi spray set - Chrome

27 789 970-00
0010

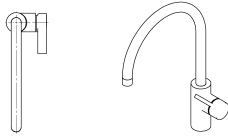
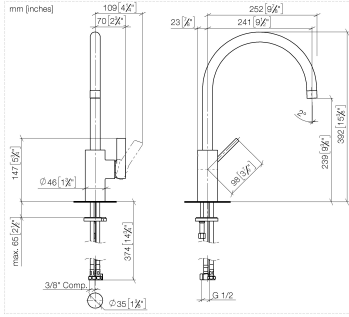
Required miscellaneous



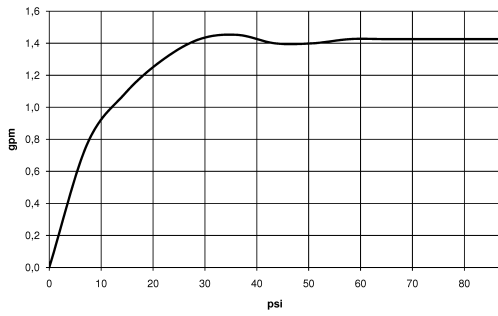
Rinsing spray set - Chrome

27 721 970-00

ST 110 107 8875



Flow rate chart



Codes & Standards

ADA	ASME A112.18.1/CSA B125.1	California Energy Commission (CEC)	NSF/ANSI 372
NSF/ANSI/CAN 61			

Certificates

IAPMO_N-4976 (2). IAPMO_4976 (3). IAPMO_6397 (1).

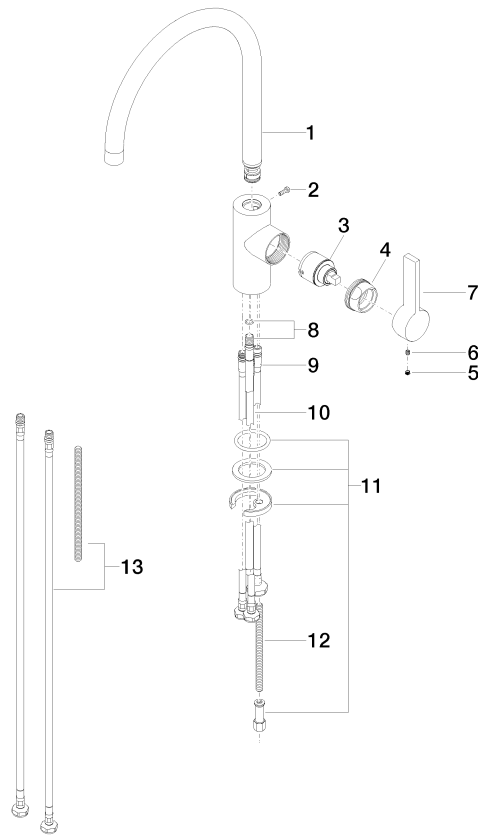


TARA ULTRA Single-lever mixer with rinsing spray set - Chrome

TARA ULTRA

ST 110 107 8875

ST 110 107 8875



Spare parts list

No.	Item Number	Name	Quantity used	Delivery time
1	90 28 22 202 03-00	spout	1	10
2	09 30 30 080 90	screw	1	2
3	90 15 05 045 00 90	cartridge	1	2
4	09 24 04 107-00	nut	1	10
5	90 31 20 109 00 90	plug	1	2
6	90 31 11 030 00 90	pin	1	2
7	09 20 79 040-00	handle	1	10
8	04 24 02 046 01-07	pipe	1	10
9	04 30 04 019 00 90	hose	1	2
10	04 30 04 106 00 90	hose	2	2
11	04 30 11 038 75 90	fixing set	1	2
12	09 31 11 091 90	pin	1	2
13	12 803 970-90 0010	Extension set -	1	60

ST 110 107 8875



Fits: ELIO, TARA, TARA ULTRA

- with round rosette
- spray flow
- automatic spout/shower diverter
- height of mixer 191 mm
- hole diameter rinsing spray 32mm
- fabric braided hose 1500 mm
- sprayface with anti-scaling system
- lead-free

Can only be combined with 33826790, 32800790, 33826888, 32815888, 20815892, 33826875.

Intrinsic protection against back flow.

Button has to be pressed while using.

	Chrome	27 721 970-00
	Brushed Platinum	27 721 970-06
	Platinum	27 721 970-08
	Durabrand (23kt Gold)	27 721 970-09
	Dark Chrome	27 721 970-19
	Brushed Durabrand (23kt Gold)	27 721 970-28
	Matte Black	27 721 970-33
	Brushed Champagne (22kt Gold)	27 721 970-46
	Champagne (22kt Gold)	27 721 970-47
	Brushed Chrome	27 721 970-93
	Brushed Dark Platinum	27 721 970-99



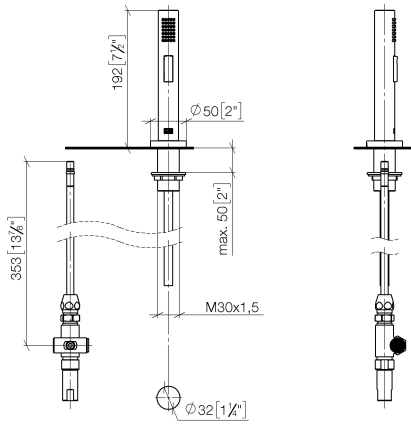
TARA ULTRA Single-lever mixer with rinsing spray set - Chrome

TARA ULTRA

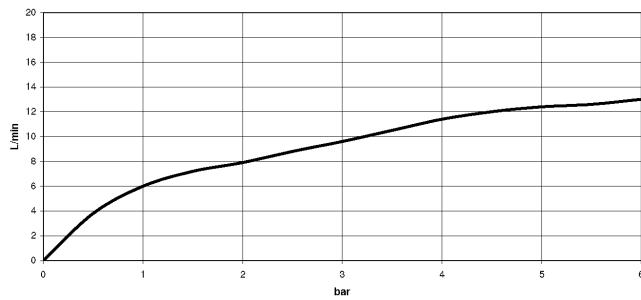
ST 110 107 8875

ST 110 107 8875

mm [inches]



Flow rate chart



Certificates

LGA_18901.

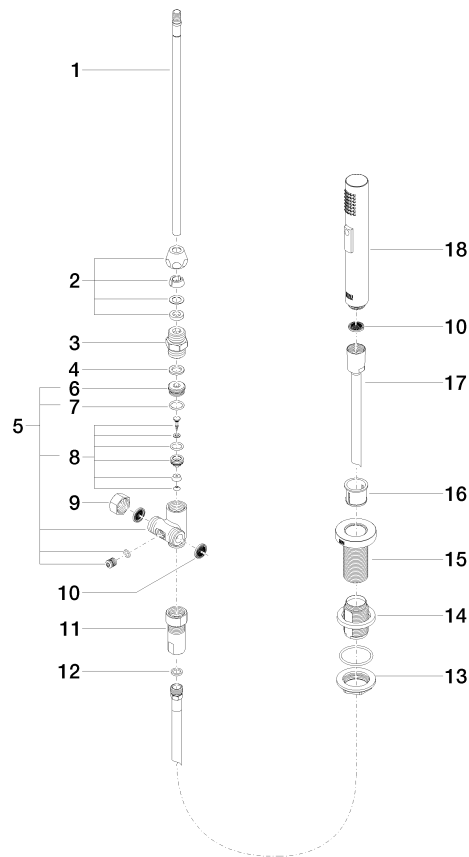
Belgaqua_21-027-
27_3.

IAPMO_N-4976 (2).

LGA_29572.

IAPMO_6397.

ST 110 107 8875



Spare parts list

No.	Item Number	Name	Quantity used	Delivery time
1	04 24 02 046 01-07	pipe	1	10
2	90 23 30 040 00-00	threaded connector	1	10
3	90 24 03 168 00 90	nipple	1	2
4	90 14 20 002 00 90	seal	1	2
5	90 17 09 046 10 90	diverter	1	2
6	09 24 04 112 10 90	nipple	1	2
7	90 14 10 033 00 90	seal	1	2
8	90 21 10 031 10 90	diverter	1	2
9	04 21 02 006 00 92	cap	1	2
10	09 23 01 039 90	sieve	2	2
11	90 24 03 241 00 90	nipple	1	2
12	90 14 20 019 00 90	seal	1	2
13	04 30 11 038 66 90	fixing set	1	2
14	12 720 970 90	Extension set -	1	60
15	09 30 01 285-00	rosette	1	10
16	90 18 40 085 00 90	sleeve	1	2
17	90 30 02 062 00-00	hose	1	2
18	04 12 11 158 00-00	shower	1	10