

ST 110 200 4882



- 235mm projection
- pivotable spout 360°
- air-enriched flow and spray flow
- height of mixer 370 mm
- height up to aerator 212 mm
- hole diameter spout 35 mm
- hole diameter valve 32 mm
- hole diameter rinsing spray 32mm
- fabric braided hose 1500 mm
- automatic spout/shower diverter
- sprayface with anti-scaling system
- max. flow 5.7 l/min at 3 bar flow pressure
- lead-free
- This product can help a building meet the requirements of Green Building Rating Systems, e.g. LEED®, BREEAM®, DGNB

Individual components of this set

You need the following components for this set



1x 20 815 882-00 0010



1x 27 721 970-00



TARA Three-hole mixer with rinsing spray set - Chrome

TARA

ST 110 200 4882

ST 110 200 4882



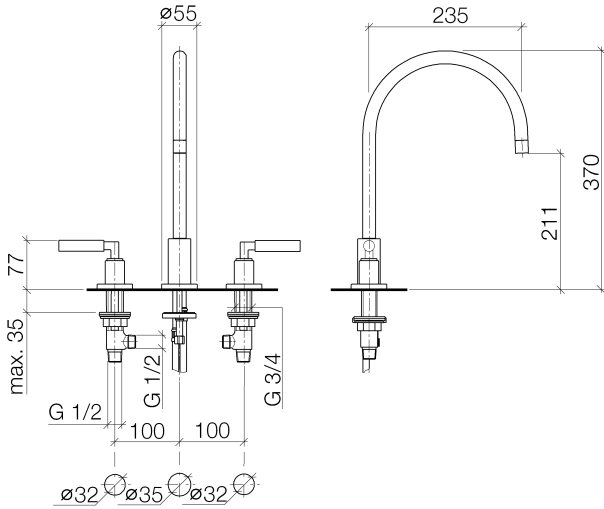
- 235mm projection
- pivotable spout 360°
- air-enriched flow
- height of mixer 370 mm
- height up to aerator 212 mm
- hole diameter spout 35 mm
- hole diameter valve 32 mm
- max. flow 5.7 l/min at 3 bar flow pressure
- lead-free
- This product can help a building meet the requirements of Green Building Rating Systems, e.g. LEED®, BREEAM®, DGNB

Recommended miscellaneous

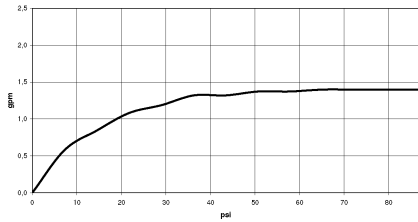
AIR SWITCH Control button - Chrome 10 713 970-00



ST 110 200 4882



Flow rate chart



Codes & Standards

ADA	ASME A112.18.1/CSA B125.1	California Energy Commission (CEC)	NSF/ANSI 372
NSF/ANSI/CAN 61			

Certificates

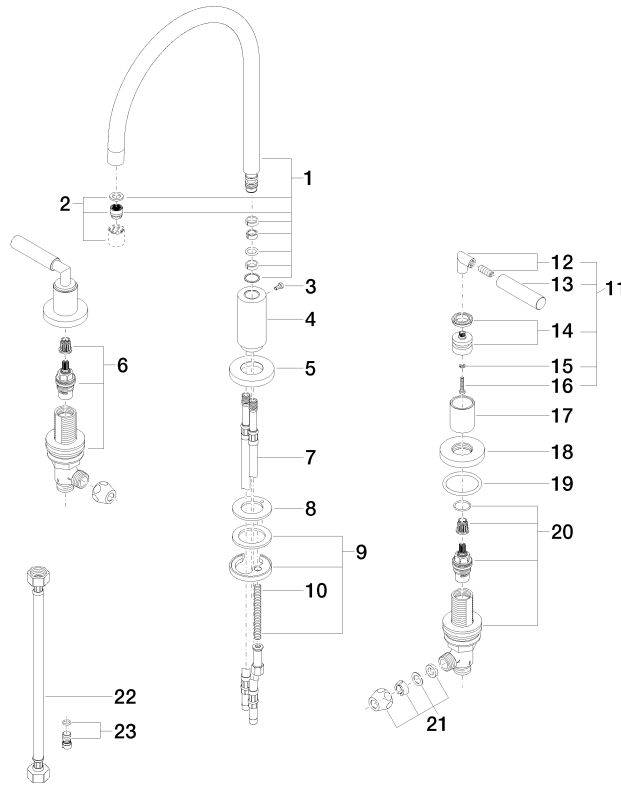
IAPMO_N-4976. IAPMO_4976 (6).



TARA Three-hole mixer with rinsing spray set - Chrome

TARA

ST 110 200 4882



Spare parts list

No.	Item Number	Name	Quantity used	Delivery time
1	90 28 22 226 02-00	spout	1	10
2	90 23 01 028 00-00	aerator	1	10
3	09 30 30 057 90	screw	1	2
4	09 11 10 088 10-00	connection	1	10
5	09 28 10 140-00	ring	1	10
6	90 17 11 040 51 90	side panel	1	2
7	04 30 04 064 00 90	hose	2	60
8	09 14 05 047 90	seal	1	2
9	04 30 11 038 00 90	fixing set	1	2
10	09 31 11 011 90	pin	1	2
11	04 20 88 052 00-00	handle	2	10
12	04 18 20 022 00-00	angle	2	10
13	09 20 88 052-00	handle	2	10
14	90 12 12 007 00-00	base	2	10
15	90 30 11 029 00 90	disc	2	2
16	90 30 30 075 00 90	screw	2	2
17	09 21 02 140-00	sleeve	2	10
18	09 27 89 105-00	rosette	2	10
19	90 14 10 043 00 90	seal	2	2
20	90 17 11 040 50 90	side panel	1	2
21	90 23 30 040 00-00	threaded connector	2	10
22	12 501 970 90	High pressure hose 1/2" x 1/2" x 300 mm -	2	-
Spare part can no longer be ordered, please order the replacement item				
23	04 31 20 046 10 92	set	1	2

ST 110 200 4882



Fits: ELIO, TARA, TARA ULTRA

- with round rosette
- spray flow
- automatic spout/shower diverter
- height of mixer 191 mm
- hole diameter rinsing spray 32mm
- fabric braided hose 1500 mm
- sprayface with anti-scaling system
- lead-free

Can only be combined with 33826790, 32800790, 33826888, 32815888, 20815892, 33826875.

Intrinsic protection against back flow.

Button has to be pressed while using.

	Chrome	27 721 970-00
	Brushed Platinum	27 721 970-06
	Platinum	27 721 970-08
	Durabrand (23kt Gold)	27 721 970-09
	Dark Chrome	27 721 970-19
	Brushed Durabrand (23kt Gold)	27 721 970-28
	Matte Black	27 721 970-33
	Brushed Champagne (22kt Gold)	27 721 970-46
	Champagne (22kt Gold)	27 721 970-47
	Brushed Chrome	27 721 970-93
	Brushed Dark Platinum	27 721 970-99



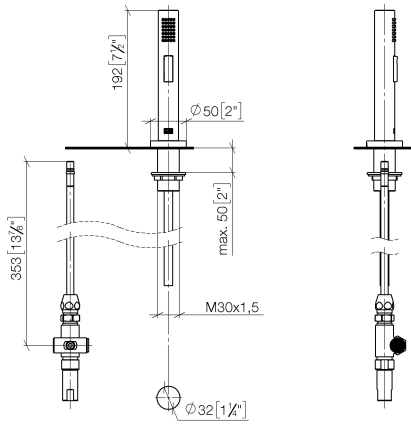
TARA Three-hole mixer with rinsing spray set - Chrome

TARA

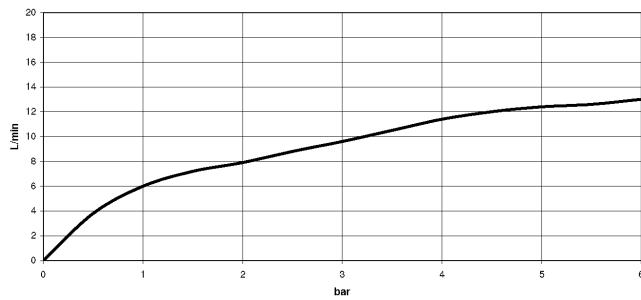
ST 110 200 4882

ST 110 200 4882

mm [inches]



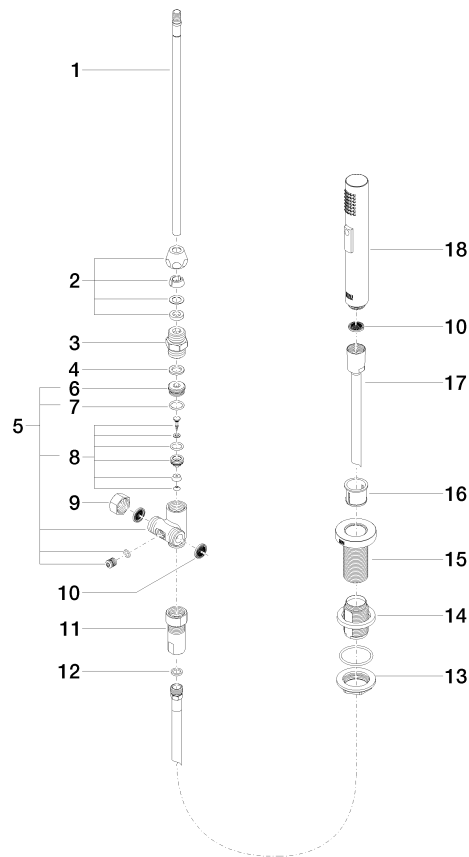
Flow rate chart



Certificates

LGA_18901. Belgaqua_21-027-27_3. IAPMO_N-4976 (2). LGA_29572. IAPMO_6397.

ST 110 200 4882



Spare parts list

No.	Item Number	Name	Quantity used	Delivery time
1	04 24 02 046 01-07	pipe	1	10
2	90 23 30 040 00-00	threaded connector	1	10
3	90 24 03 168 00 90	nipple	1	2
4	90 14 20 002 00 90	seal	1	2
5	90 17 09 046 10 90	diverter	1	2
6	09 24 04 112 10 90	nipple	1	2
7	90 14 10 033 00 90	seal	1	2
8	90 21 10 031 10 90	diverter	1	2
9	04 21 02 006 00 92	cap	1	2
10	09 23 01 039 90	sieve	2	2
11	90 24 03 241 00 90	nipple	1	2
12	90 14 20 019 00 90	seal	1	2
13	04 30 11 038 66 90	fixing set	1	2
14	12 720 970 90	Extension set -	1	60
15	09 30 01 285-00	rosette	1	10
16	90 18 40 085 00 90	sleeve	1	2
17	90 30 02 062 00-00	hose	1	2
18	04 12 11 158 00-00	shower	1	10