

ST 110 200 8882



- 235mm projection
- pivotable spout 360°
- air-enriched flow and spray flow
- height of mixer 370 mm
- test
- height up to aerator 212 mm
- hole diameter spout 35 mm
- hole diameter valve 32 mm
- profi spray hole diameter 30mm
- automatic spout/shower diverter
- sprayface with anti-scaling system
- max. flow 5.7 l/min at 3 bar flow pressure
- suspended spray with stainless steel spring (can be pivoted and locked)
- lead-free
- This product can help a building meet the requirements of Green Building Rating Systems, e.g. LEED®, BREEAM®, DGNB

Individual components of this set

You need the following components for this set



1x

20 815 882-00 0010



1x

27 789 970-00 0010



TARA Three-hole mixer with profi spray set - Chrome

TARA

ST 110 200 8882

ST 110 200 8882



- 235mm projection
- pivotable spout 360°
- air-enriched flow
- height of mixer 370 mm
- height up to aerator 212 mm
- hole diameter spout 35 mm
- hole diameter valve 32 mm
- max. flow 5.7 l/min at 3 bar flow pressure
- lead-free
- This product can help a building meet the requirements of Green Building Rating Systems, e.g. LEED®, BREEAM®, DGNB

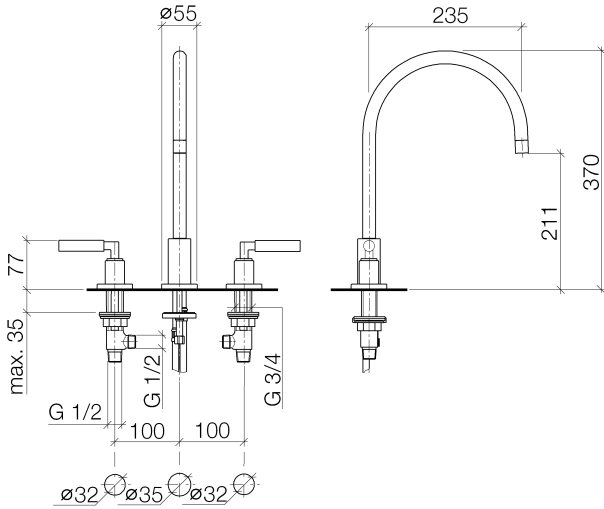
Recommended miscellaneous

**AIR SWITCH Control button -
Chrome**

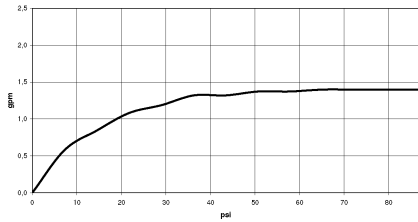
10 713 970-00



ST 110 200 8882



Flow rate chart



Codes & Standards

ADA

ASME
A112.18.1/CSA
B125.1

California Energy
Commission
(CEC)

NSF/ANSI 372

NSF/ANSI/CAN
61

Certificates

IAPMO_N-4976. IAPMO_4976 (6).

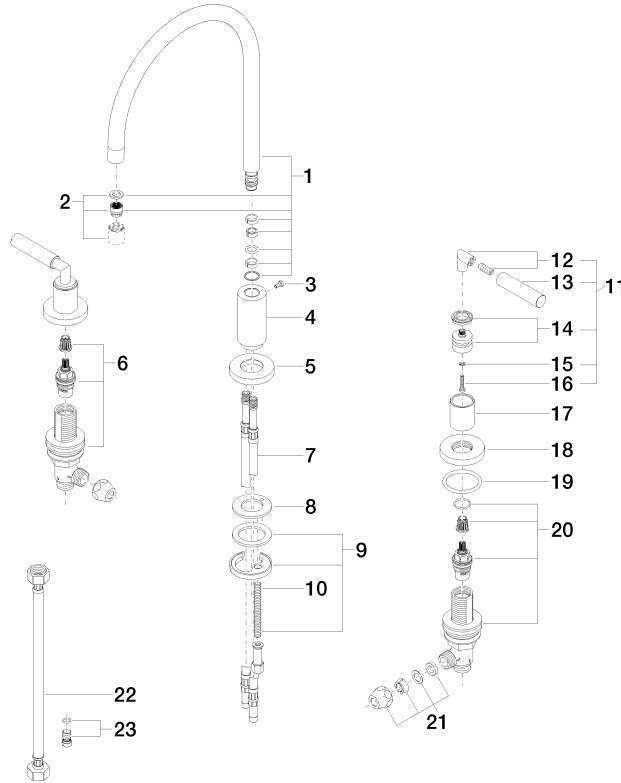


TARA Three-hole mixer with profi spray set - Chrome

TARA

ST 110 200 8882

ST 110 200 8882



Spare parts list

No.	Item Number	Name	Quantity used	Delivery time
1	90 28 22 226 02-00	spout	1	10
2	90 23 01 028 00-00	aerator	1	10
3	09 30 30 057 90	screw	1	2
4	09 11 10 088 10-00	connection	1	10
5	09 28 10 140-00	ring	1	10
6	90 17 11 040 51 90	side panel	1	2
7	04 30 04 064 00 90	hose	2	60
8	09 14 05 047 90	seal	1	2
9	04 30 11 038 00 90	fixing set	1	2
10	09 31 11 011 90	pin	1	2
11	04 20 88 052 00-00	handle	2	10
12	04 18 20 022 00-00	angle	2	10
13	09 20 88 052-00	handle	2	10
14	90 12 12 007 00-00	base	2	10
15	90 30 11 029 00 90	disc	2	2
16	90 30 30 075 00 90	screw	2	2
17	09 21 02 140-00	sleeve	2	10
18	09 27 89 105-00	rosette	2	10
19	90 14 10 043 00 90	seal	2	2
20	90 17 11 040 50 90	side panel	1	2
21	90 23 30 040 00-00	threaded connector	2	10
22	12 501 970 90	High pressure hose 1/2" x 1/2" x 300 mm -	2	-
Spare part can no longer be ordered, please order the replacement item				
23	04 31 20 046 10 92	set	1	2

ST 110 200 8882



Fits: ELIO, TARA, TARA ULTRA

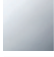

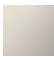



- spray flow
- automatic diverter for spout/Profi spray set
- height of mixer 665 mm
- individual rosette diameter 55mm
- profi spray hole diameter 30mm
- sprayface with anti-scaling system
- suspended spray with stainless steel spring (can be pivoted and locked)
- lead-free

The profi spray can be installed either with or without a rosette

Can only be combined with 32800790, 33826888, 32815888, 20815892, 33826875.

Intrinsic protection against back flow.

Button has to be pressed while using.

	Chrome	27 789 970-00 0010
	Brushed Platinum	27 789 970-06 0010
	Platinum	27 789 970-08 0010
	Dark Chrome	27 789 970-19 0010
	Brushed Chrome	27 789 970-93 0010
	Brushed Dark Platinum	27 789 970-99 0010

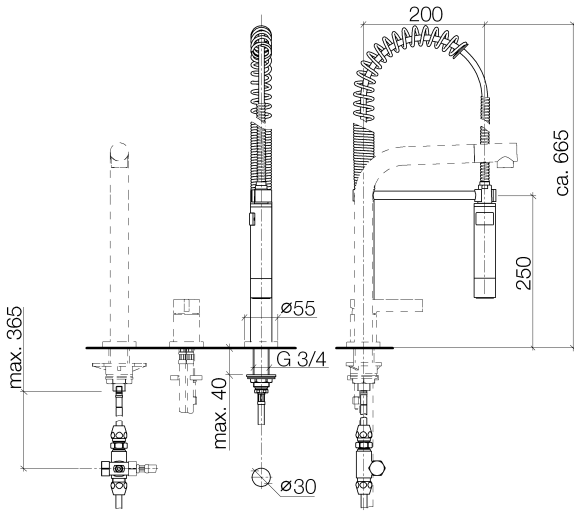


TARA Three-hole mixer with profi spray set - Chrome

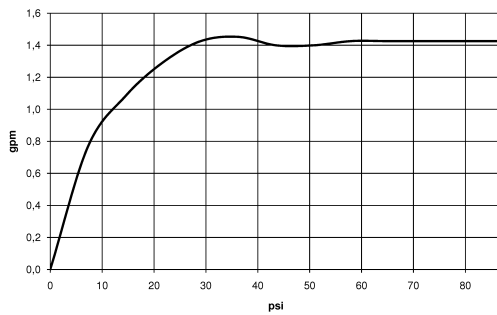
TARA

ST 110 200 8882

ST 110 200 8882



Flow rate chart



Codes & Standards

NSF/ANSI 372

Certificates

IAPMO_6397.



TARA Three-hole mixer with profi spray set - Chrome

TARA

ST 110 200 8882

