

ST 110 201 2892



- 235mm projection
- pivotable spout 360°
- air-enriched flow and spray flow
- height of mixer 370 mm
- height up to aerator 212 mm
- hole diameter spout 35 mm
- hole diameter valve 32 mm
- hole diameter rinsing spray 32mm
- fabric braided hose 1500 mm
- automatic spout/shower diverter
- sprayface with anti-scaling system
- max. flow 5.7 l/min at 3 bar flow pressure
- lead-free
- This product can help a building meet the requirements of Green Building Rating Systems, e.g. LEED®, BREEAM®, DGNB

	Brushed Dark Platinum	ST 110 201 2892-99 0010
	Chrome	ST 110 201 2892-00 0010
	Brushed Platinum	ST 110 201 2892-06 0010
	Platinum	ST 110 201 2892-08 0010
	Durabronze (23kt Gold)	ST 110 201 2892-09 0010
	Dark Chrome	ST 110 201 2892-19 0010
	Brushed Durabronze (23kt Gold)	ST 110 201 2892-28 0010
	Matte Black	ST 110 201 2892-33 0010
	Brushed Champagne (22kt Gold)	ST 110 201 2892-46 0010
	Champagne (22kt Gold)	ST 110 201 2892-47 0010
	Brushed Chrome	ST 110 201 2892-93 0010

Individual components of this set

You need the following components for this set



1x 27 721 970-99



1x 20 815 892-99 0010



# TARA Three-hole mixer with rinsing spray set - Brushed Dark Platinum

---

TARA

ST 110 201 2892

ST 110 201 2892



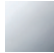
Fits: ELIO, TARA, TARA ULTRA

- with round rosette
- spray flow
- automatic spout/shower diverter
- height of mixer 191 mm
- hole diameter rinsing spray 32mm
- fabric braided hose 1500 mm
- sprayface with anti-scaling system
- lead-free

Can only be combined with 33826790, 32800790, 33826888, 32815888, 20815892, 33826875.

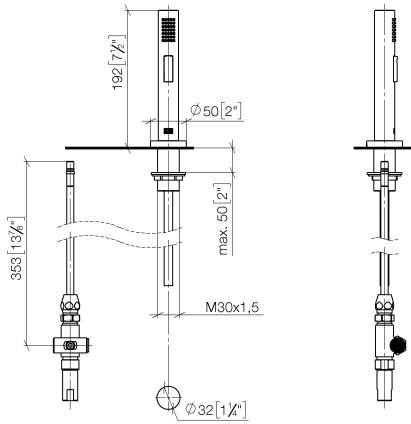
Intrinsic protection against back flow.

Button has to be pressed while using.

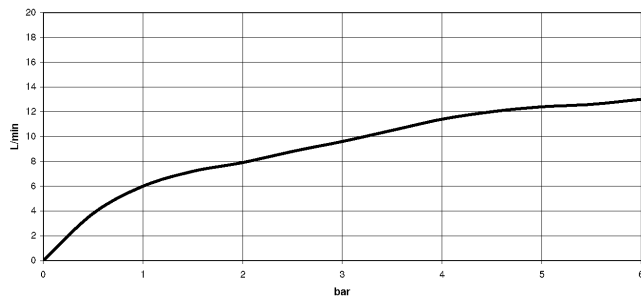
	Brushed Dark Platinum	27 721 970-99
	Chrome	27 721 970-00
	Brushed Platinum	27 721 970-06
	Platinum	27 721 970-08
	Durabrand (23kt Gold)	27 721 970-09
	Dark Chrome	27 721 970-19
	Brushed Durabrand (23kt Gold)	27 721 970-28
	Matte Black	27 721 970-33
	Brushed Champagne (22kt Gold)	27 721 970-46
	Champagne (22kt Gold)	27 721 970-47
	Brushed Chrome	27 721 970-93

ST 110 201 2892

mm [inches]



**Flow rate chart**



**Certificates**

LGA\_18901.

Belgaqua\_21-027-  
27\_3.

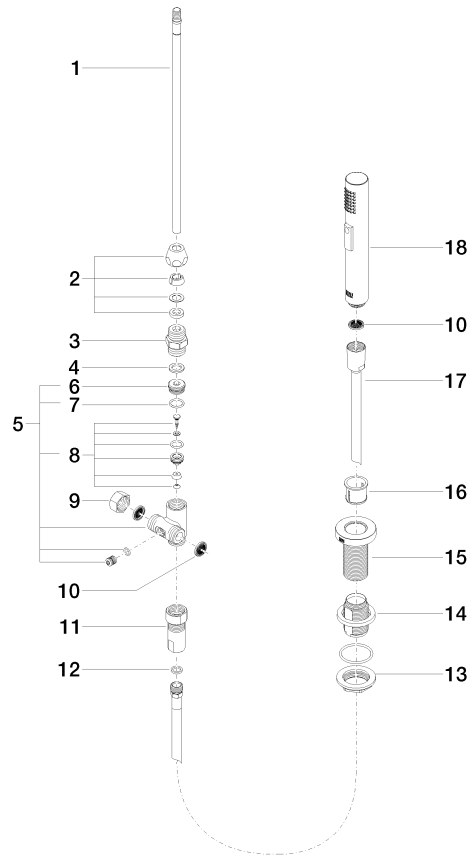
IAPMO\_N-4976 (2).

LGA\_29572.

IAPMO\_6397.

ST 110 201 2892

Parts for other finishes can be found here: [Chrome](#)



**Spare parts list**

No.	Item Number	Name	Quantity used	Delivery time
1	04 24 02 046 01-07	pipe	1	10
2	90 23 30 040 00-99	threaded connector	1	30
3	90 24 03 168 00 90	nipple	1	2
4	90 14 20 002 00 90	seal	1	2
5	90 17 09 046 10 90	diverter	1	2
6	09 24 04 112 10 90	nipple	1	2
7	90 14 10 033 00 90	seal	1	2
8	90 21 10 031 10 90	diverter	1	2
9	04 21 02 006 00 92	cap	1	2
10	09 23 01 039 90	sieve	2	2
11	90 24 03 241 00 90	nipple	1	2
12	90 14 20 019 00 90	seal	1	2
13	04 30 11 038 66 90	fixing set	1	2
14	12 720 970 90	Extension set -	1	60
15	09 30 01 285-99	rosette	1	30
16	90 18 40 085 00 90	sleeve	1	2
17	90 30 02 062 00-99	hose	1	30
18	04 12 11 158 00-99	shower	1	30

ST 110 201 2892



- 235mm projection
- pivotable spout 360°
- air-enriched flow
- height of mixer 370 mm
- height up to aerator 212 mm
- hole diameter spout 35 mm
- hole diameter valve 32 mm
- max. flow 5.7 l/min at 3 bar flow pressure
- lead-free
- This product can help a building meet the requirements of Green Building Rating Systems, e.g. LEED®, BREEAM®, DGNB

	Brushed Dark Platinum	20 815 892-99 0010
	Chrome	20 815 892-00 0010
	Brushed Platinum	20 815 892-06 0010
	Platinum	20 815 892-08 0010
	Durabrand (23kt Gold)	20 815 892-09 0010
	Dark Chrome	20 815 892-19 0010
	Brushed Durabrand (23kt Gold)	20 815 892-28 0010
	Matte Black	20 815 892-33 0010
	Brushed Champagne (22kt Gold)	20 815 892-46 0010
	Champagne (22kt Gold)	20 815 892-47 0010
	Brushed Chrome	20 815 892-93 0010

**Recommended miscellaneous**

**AIR SWITCH Control button -** 10 713 970-99  
**Brushed Dark Platinum**



**Recommended miscellaneous**

**Dispenser with rosette - Brushed** 82 444 970-99  
**Dark Platinum**





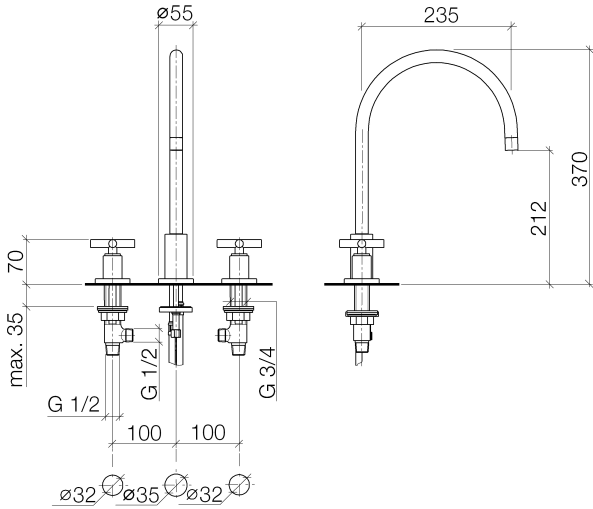
## TARA Three-hole mixer with rinsing spray set - Brushed Dark Platinum

---

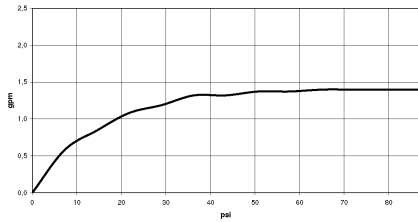
TARA

ST 110 201 2892

ST 110 201 2892



**Flow rate chart**



**Codes & Standards**

ADA	ASME A112.18.1/CSA B125.1	California Energy Commission (CEC)	NSF/ANSI 372
NSF/ANSI/CAN 61			

**Certificates**

IAPMO\_N-4976. IAPMO\_4976 (2). IAPMO\_6397.





# TARA Three-hole mixer with rinsing spray set - Brushed Dark Platinum

---

TARA

ST 110 201 2892

ST 110 201 2892

Parts for other finishes can be found here: [Chrome](#)

