

Two-hole bridge mixer with rinsing spray set

VAIA

ST 110 202 7809

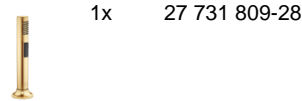
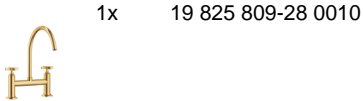


- 241mm projection
- pivotable spout 360°
- air-enriched flow and spray flow
- automatic spout/shower diverter
- height of mixer 354 mm
- height up to aerator 241 mm
- hole diameter rinsing spray 32mm
- 2 x pressure hose with 3/8" cap nut
- fabric braided hose 1500 mm
- sprayface with anti-scaling system
- max. flow 5.7 l/min at 3 bar flow pressure
- lead-free
- This product can help a building meet the requirements of Green Building Rating Systems, e.g. LEED®, BREEAM®, DGNB

	Brushed Durabronze (23kt Gold)	ST 110 202 7809-28 0010
	Chrome	ST 110 202 7809-00 0010
	Brushed Platinum	ST 110 202 7809-06 0010
	Platinum	ST 110 202 7809-08 0010
	Durabronze (23kt Gold)	ST 110 202 7809-09 0010
	Dark Chrome	ST 110 202 7809-19 0010
	Matte Black	ST 110 202 7809-33 0010
	Brushed Champagne (22kt Gold)	ST 110 202 7809-46 0010
	Champagne (22kt Gold)	ST 110 202 7809-47 0010
	Brushed Chrome	ST 110 202 7809-93 0010
	Brushed Dark Platinum	ST 110 202 7809-99 0010

Individual components of this set

You need the following components for this set





Two-hole bridge mixer with rinsing spray set

VAIA

ST 110 202 7809

Two-hole bridge mixer with rinsing spray set

VAIA

ST 110 202 7809



- 241mm projection
- pivotable spout 360°
- air-enriched flow
- max. flow 5.7 l/min at 3 bar flow pressure
- lead-free
- This product can help a building meet the requirements of Green Building Rating Systems, e.g. LEED®, BREEAM®, DGNB

	Brushed Durabronze (23kt Gold)	19 825 809-28 0010
	Chrome	19 825 809-00 0010
	Brushed Platinum	19 825 809-06 0010
	Platinum	19 825 809-08 0010
	Durabronze (23kt Gold)	19 825 809-09 0010
	Dark Chrome	19 825 809-19 0010
	Matte Black	19 825 809-33 0010
	Brushed Champagne (22kt Gold)	19 825 809-46 0010
	Champagne (22kt Gold)	19 825 809-47 0010
	Brushed Chrome	19 825 809-93 0010
	Brushed Dark Platinum	19 825 809-99 0010

Recommended miscellaneous

VAIA Dispenser with rosette - 82 434 809-28
Brushed Durabronze (23kt Gold)



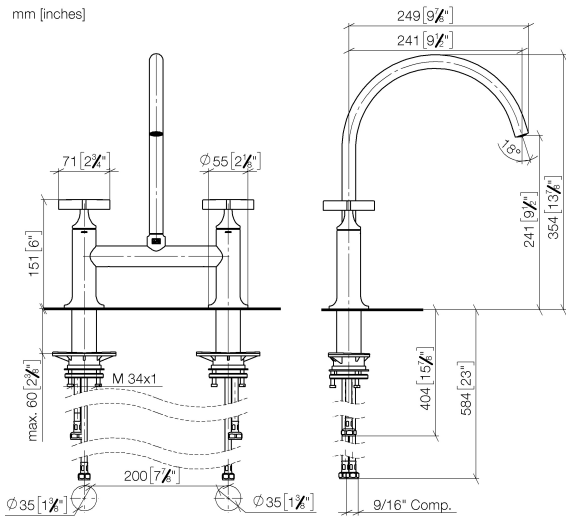
Recommended miscellaneous

VAIA AIR SWITCH Control button - 10 713 809-28
Brushed Durabronze (23kt Gold)

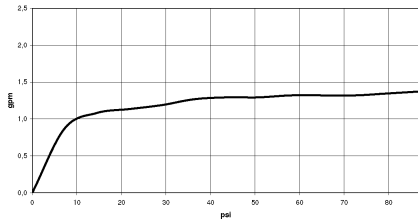


ST 110 202 7809

mm [inches]



Flow rate chart

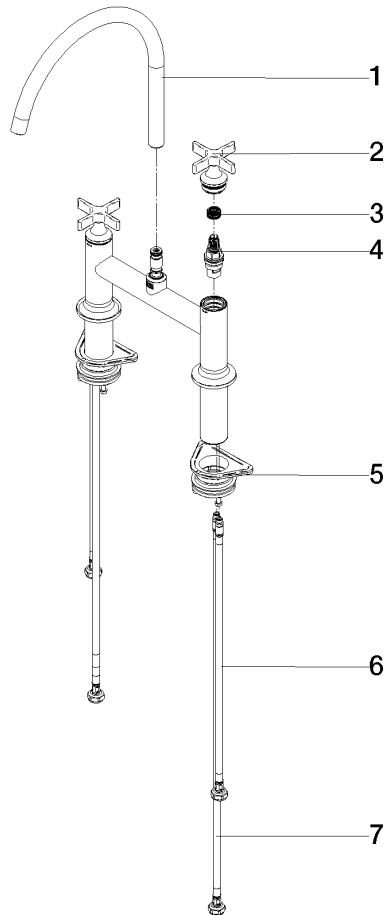


Codes & Standards

California Energy
Commission
(CEC)

ST 110 202 7809

Parts for other finishes can be found here: [Chrome](#)



Spare parts list

No.	Item Number	Name	Quantity used	Delivery time
1	90 28 22 396 01-28	spout	1	-
Spare part can no longer be ordered, please order the replacement item				
2	90 20 80 036 00-28	handle	2	-
Spare part can no longer be ordered, please order the replacement item				
3	90 12 12 232 00 90	fixing cap	2	2
4	90 90 03 131 00 90	top	2	2
5	04 30 11 040 00 90	fixing set	2	2
6	04 30 04 100 00 90	hose	2	2
7	04 30 04 103 00 90	hose	2	2

ST 110 202 7809



- with round rosette
- spray flow
- automatic spout/shower diverter
- height of mixer 202 mm
- hole diameter rinsing spray 32mm
- fabric braided hose 1500 mm
- sprayface with anti-scaling system
- lead-free

Can only be combined with 33810809, 33826809, 19815809, 19825809.

Intrinsic protection against back flow.

Residual water may emerge from the spray after closing.

Operating unit can be positioned freely.

Button has to be pressed while using.

	Brushed Durabronze (23kt Gold)	27 731 809-28
	Chrome	27 731 809-00
	Brushed Platinum	27 731 809-06
	Platinum	27 731 809-08
	Durabronze (23kt Gold)	27 731 809-09
	Dark Chrome	27 731 809-19
	Matte Black	27 731 809-33
	Brushed Champagne (22kt Gold)	27 731 809-46
	Champagne (22kt Gold)	27 731 809-47
	Brushed Chrome	27 731 809-93
	Brushed Dark Platinum	27 731 809-99



Two-hole bridge mixer with rinsing spray set

VAIA

ST 110 202 7809

ST 110 202 7809

mm [inches]



Certificates

Belgaqua_24-005-
27_3.



Two-hole bridge mixer with rinsing spray set

VAIA

ST 110 202 7809



Two-hole bridge mixer with rinsing spray set

VAIA

ST 110 202 7809

