

**WATER SHEET Cascade spout for wall mounting - Light Gold**

IMO

13 415 979




- 150mm projection
- CASCADE, max. flow rate 26.5 l/min (at 3 bar)
- cover plate 240 x 60 mm
- 1/2" connection
- plug-link mounting
- WRAS 2306001


Fits: IMO, LULU, MADISON, MEM, TARA, CL.1, LISSÉ, VAIA, META, CYO

	Light Gold	13 415 979-26
	Chrome	13 415 979-00
	Brushed Platinum	13 415 979-06
	Platinum	13 415 979-08
	Dark Chrome	13 415 979-19
	Brushed Light Gold	13 415 979-27
	Brushed Durabronze (23kt Gold)	13 415 979-28
	Matte Black	13 415 979-33
	Brushed Bronze	13 415 979-42
	Brushed Champagne (22kt Gold)	13 415 979-46
	Champagne (22kt Gold)	13 415 979-47
	Brushed Chrome	13 415 979-93
	Brushed Dark Platinum	13 415 979-99

**Recommended miscellaneous**

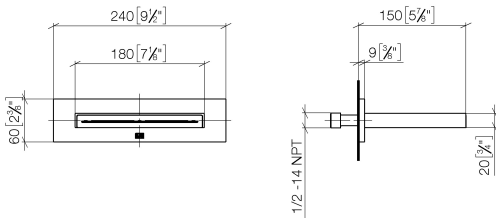
	<b>Concealed wall elbow -</b> •min. recess depth 90 mm •max. recess depth 163 mm	35 085 970 90
---	--	---------------

**Recommended miscellaneous**

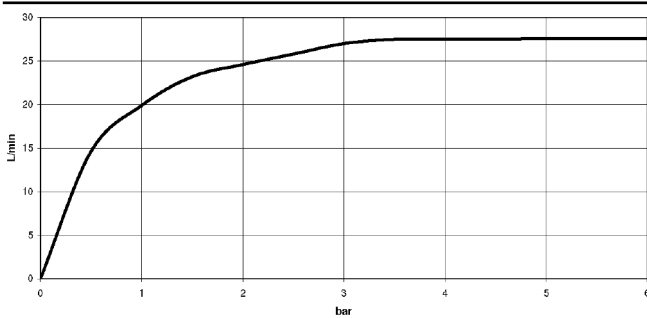
	<b>Concealed wall elbow -</b> •min. recess depth 90 mm •max. recess depth 163 mm	35 085 970 90
---	--	---------------

13 415 979

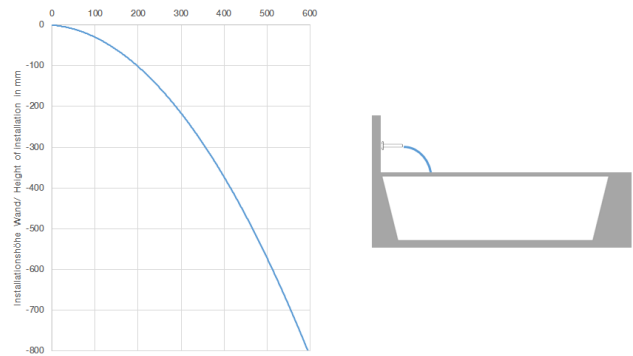
mm [inches]



**Flow rate chart**



**Trajectory diagram**



**Codes & Standards**

Scottish Water  
Byelaws

UK Water Supply  
Regulations



WATER SHEET Cascade spout for wall mounting - Light Gold

---

IMO

13 415 979

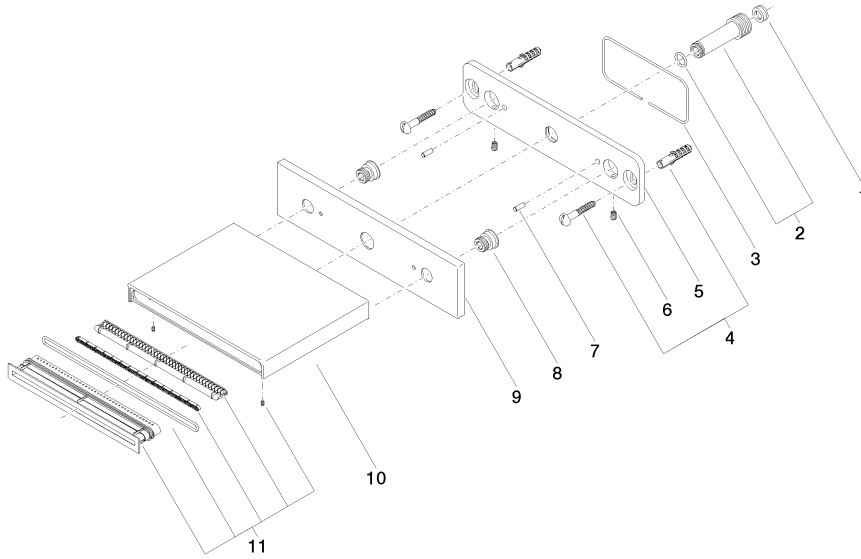
Certificates

---

WRAS\_2306

13 415 979

Product version from 10/1/2023





**WATER SHEET Cascade spout for wall mounting - Light Gold**

IMO

13 415 979

**Spare parts list**

**Product version from 10/1/2023**

No.	Item Number	Name	Quantity used	Delivery time
	09 23 01 057 90	flow reducer	14	2