








CYO Deck-mounted basin spout without pop-up waste - Brushed Dark Platinum

13 715 811



- 133mm projection
- fixed spout
- rectangular, air-enriched flow
- height of mixer 180 mm
- height up to aerator 128 mm
- hole diameter 35 mm
- 2x 1/2" x 1/2" high pressure hose
- max. flow 4.5 l/min
- lead-free
- This product can help a building meet the requirements of Green Building Rating Systems, e.g. LEED®, BREEAM®, DGNB
- WRAS

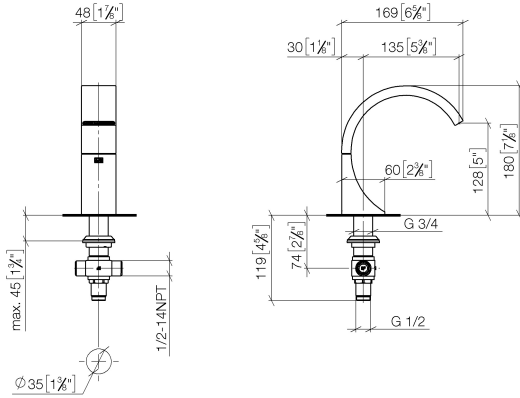
	Brushed Dark Platinum	13 715 811-99
	Chrome	13 715 811-00
	Brushed Platinum	13 715 811-06
	Dark Chrome	13 715 811-19
	Brushed Durabronze (23kt Gold)	13 715 811-28
	Platinum / Brushed Platinum	13 715 811-36
	Durabronze / Brushed Durabronze (23kt Gold)	13 715 811-38



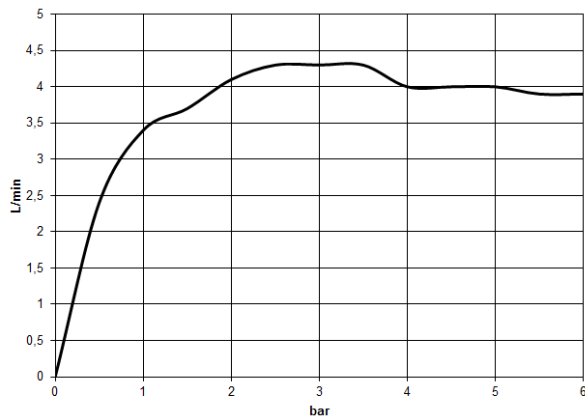
CYO Deck-mounted basin spout without pop-up waste - Brushed Dark Platinum

13 715 811


mm [inches]



Flow rate chart



Codes & Standards

ASME A112.18.1	cUPC	DIN 4109	EPA WaterSense
ISO 3822	NSF372	NSF61	Scottish Water Byelaws
UK Water Supply Regulations	Ü-Zeichen	WaterSense	





CYO Deck-mounted basin spout without pop-up waste - Brushed Dark Platinum

13 715 811

Certificates

LGA_38

WRAS_2107

IAPMO_N-4

IAPMO_4976

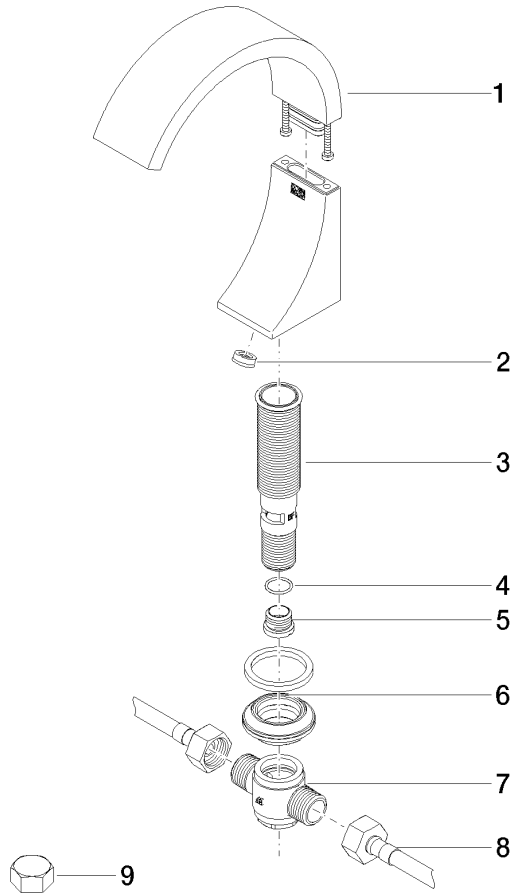
IAPMO_8834

IAPMO_6

CYO Deck-mounted basin spout without pop-up waste - Brushed Dark Platinum

13 715 811

Parts for other finishes can be found here: [Chrome](#)



Spare parts list

No.	Item Number	Name	Quantity used	Delivery time
1	90 11 70 012 00-99	spout	1	20
2	09 23 01 163 90	flow reducer	1	2
3	90 30 01 033 00 90	base	1	2
4	09 14 10 017 90	seal	1	2
5	09 24 04 021 10 90	nipple	1	2
6	04 23 10 044 09 90	fixing set	1	2
7	90 17 11 020 10 90	distributor	1	2
8	04 30 04 096 00 90	hose	2	2
9	04 21 02 006 00 92	cap	2	2