

17 861 625



- 145mm projection
- rigid, thermally insulated spout
- laminar flow
- height of mixer 249 mm
- height up to laminar flow regulator 184 mm
- hole diameter 35 mm
- provides filtered, hot water up to 93°C
- provides filtered, cold water
- max. flow 2 l/min at 3 bar flow pressure
- ready-to-use control unit for wall mounting (137mm x 159mm x 60mm)
- electronic magnetic valve
- 100-230 V, 50-60 Hz, 18 W power supply unit, incl. country-specific adapter set
- lead-free

• Spout ring cannot be removed.

• This product can help a building meet the requirements of Green Building Rating Systems, e.g. LEED®, BREEAM®, DGNB

A minimum flow pressure of 3 bar is necessary for the HOT & COLD WATER DISPENSER to work perfectly in conjunction with a hot water tank and filter.

In addition, the installation must be above a kitchen sink.

The filter cartridge must be changed every six months. The installation instructions contain further information for guidance.

Detailed planning information and technical data can be found at www.dornbracht.com/professional

A minimum flow pressure of 3 bar is necessary for the HOT & COLD WATER DISPENSER to work perfectly in conjunction with a hot water tank and filter.

In addition, the installation must be above a kitchen sink.

The filter cartridge must be changed every six months. The installation instructions contain further information for guidance.

Detailed planning information and technical data can be found at www.dornbracht.com/professional

| | | |
|--|-------------------------------|---------------|
| | Dark Chrome | 17 861 625-19 |
| | Chrome | 17 861 625-00 |
| | Brushed Platinum | 17 861 625-06 |
| | Platinum | 17 861 625-08 |
| | Durabrand (23kt Gold) | 17 861 625-09 |
| | Brushed Durabrand (23kt Gold) | 17 861 625-28 |
| | Matte Black | 17 861 625-33 |
| | Brushed Champagne (22kt Gold) | 17 861 625-46 |
| | Champagne (22kt Gold) | 17 861 625-47 |
| | Brushed Chrome | 17 861 625-93 |
| | Brushed Dark Platinum | 17 861 625-99 |

Required miscellaneous



Hot water tank incl. filter -

12 892 970 90

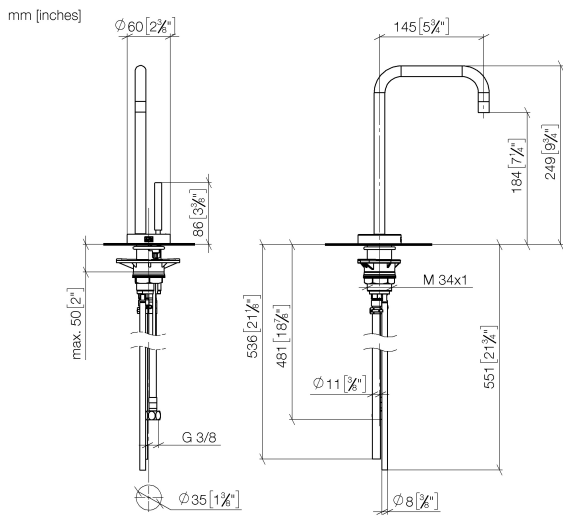
Required miscellaneous



Hot water tank incl. filter -

12 892 970 90

17 861 625



Flow rate chart



Certificates

IAPMO_N-4976. GDV_0400297. IAPMO_6397.

17 861 625

