

19 875 809



- 240mm projection
- pivotable spout 360°
- Optional swivel limiter available with swivel limiter set 12 823 970 90
- air-enriched flow and spray flow
- 1800 mm metal shower hose
- sprayface with anti-scaling system
- max. flow 8 l/min at 3 bar flow pressure
- lead-free
- This product can help a building meet the requirements of Green Building Rating Systems, e.g. LEED®, BREEAM®, DGNB

Intrinsic protection against back flow.

| | | |
|--|--------------------------------|---------------|
|  | Brushed Chrome | 19 875 809-93 |
|  | Chrome | 19 875 809-00 |
|  | Brushed Platinum | 19 875 809-06 |
|  | Platinum | 19 875 809-08 |
|  | Durabronze (23kt Gold) | 19 875 809-09 |
|  | Dark Chrome | 19 875 809-19 |
|  | Brushed Durabronze (23kt Gold) | 19 875 809-28 |
|  | Matte Black | 19 875 809-33 |
|  | Brushed Champagne (22kt Gold) | 19 875 809-46 |
|  | Champagne (22kt Gold) | 19 875 809-47 |
|  | Brushed Dark Platinum | 19 875 809-99 |

Recommended miscellaneous

Swivel limitation set -

12 823 970 90



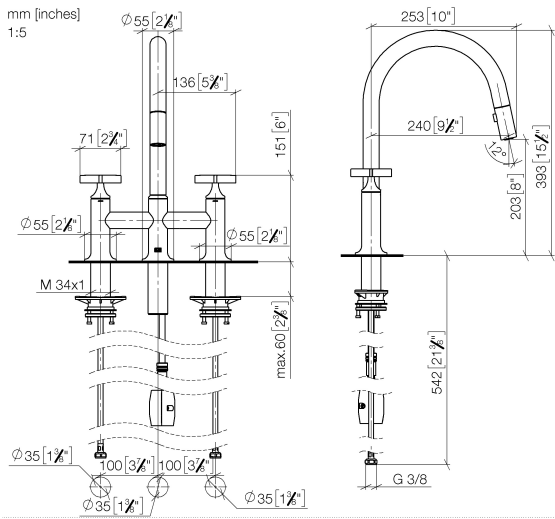
Recommended miscellaneous

**VAIA Dispenser with rosette -
Brushed Chrome**

82 434 809-93



19 875 809



Flow rate chart



Codes & Standards

DIN 4109

EN 1717

ISO 3822

Ü-Zeichen



VAIA Three-hole bridge mixer Pull-down with spray function - Brushed Chrome

VAIA

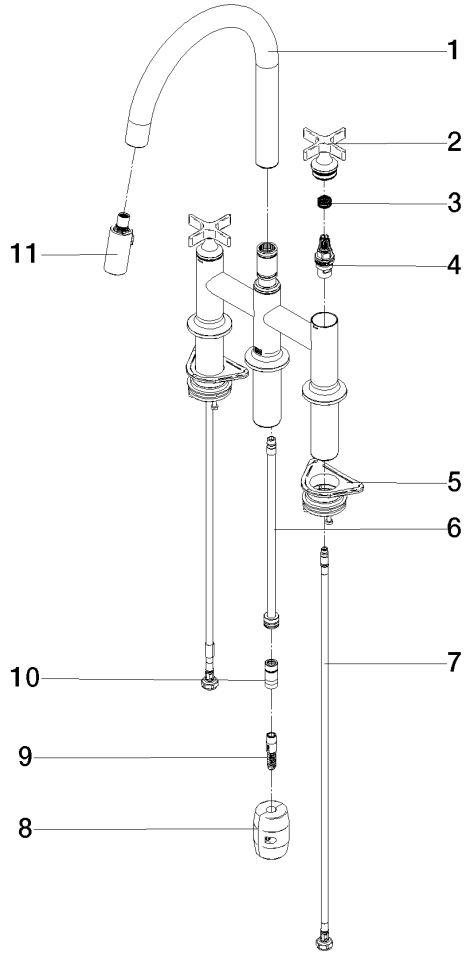
19 875 809

Certificates

Belgaqua_24-005-2 LGA_38

19 875 809

Product version from 7/1/2023





VAIA Three-hole bridge mixer Pull-down with spray function - Brushed Chrome

VAIA

19 875 809

Spare parts list

Product version from 7/1/2023

| No. | Item Number | Name | Quantity used | Delivery time |
|-----|--------------------|-------|---------------|---------------|
| | 90 28 22 397 00-93 | spout | 16 | 20 |