





DORNBRACHT YAMOU Three-hole basin mixer without pop-up waste - Chrome

20 712 831



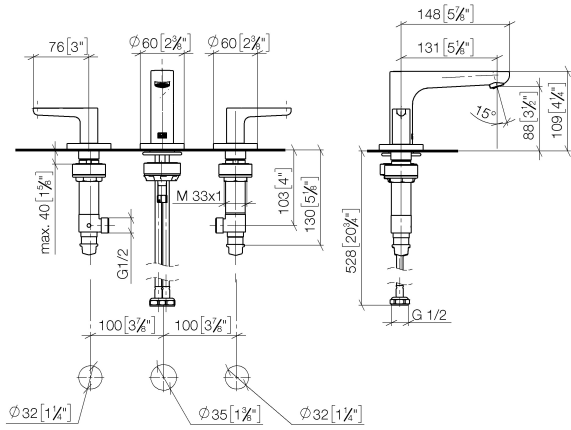
- 131mm projection
- circular, air-enriched flow
- height of mixer 109 mm
- height up to aerator 88 mm
- hole diameter valve 32 mm
- hole diameter spout 35 mm
- rosette Ø 60 mm
- 2x screw-in M 8 x 1 pressure hose, leak-tested
- max. flow l/min
- WRAS 2310319

	Chrome	20 712 831-00
	Soft Black	20 712 831-69

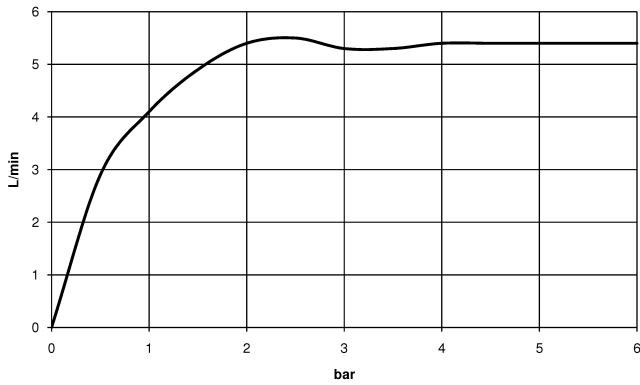


DORNBRACHT YAMOU Three-hole basin mixer without pop-up waste - Chrome

20 712 831
mm [inches]



Flow rate chart



Codes & Standards

DIN 4109

ISO 3822

Scottish Water
Byelaws

UK Water Supply
Regulations

Ü-Zeichen

XP P 41-280



DORNBACHT YAMOU Three-hole basin mixer without pop-up waste -
Chrome

20 712 831
Certificates

ACS_23 ACC NY

AbP_10

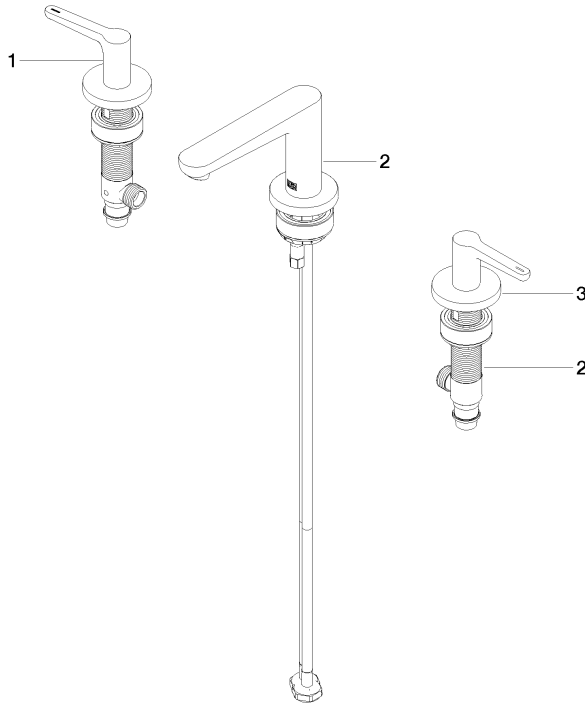
WRAS_2310



DORNBACHT YAMOU Three-hole basin mixer without pop-up waste - Chrome

20 712 831

Product version from 1/1/2023





DORNBACHT YAMOU Three-hole basin mixer without pop-up waste -
Chrome

20 712 831

Spare parts list

Product version from 1/1/2023

No.	Item Number	Name	Quantity used	Delivery time
	90 20 83 067 00-00	handle (hot)	3	60