





## DORNBACHT YAMOU Three-hole basin mixer without pop-up waste - Soft Black

---

20 712 831



- 131mm projection
- circular, air-enriched flow
- height of mixer 109 mm
- height up to aerator 88 mm
- hole diameter valve 32 mm
- hole diameter spout 35 mm
- rosette Ø 60 mm
- 2x screw-in M 8 x 1 pressure hose, leak-tested
- max. flow l/min
- WRAS 2310319

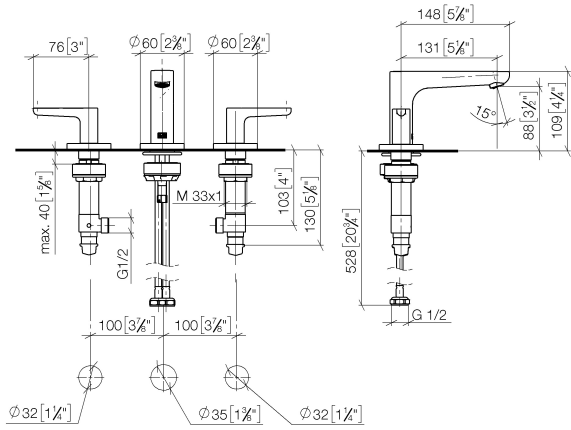
	Soft Black	20 712 831-69
	Chrome	20 712 831-00

---

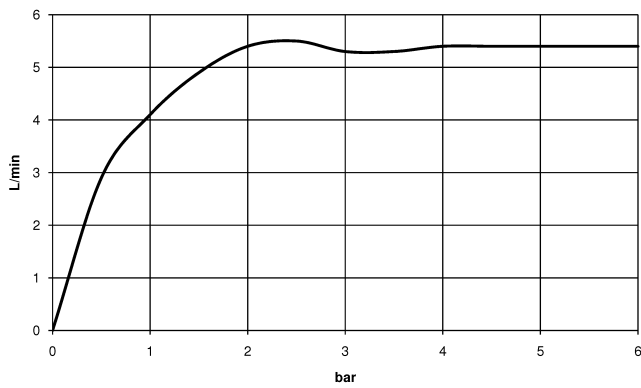


# DORNBRACHT YAMOU Three-hole basin mixer without pop-up waste - Soft Black

20 712 831  
mm [inches]



## Flow rate chart



## Codes & Standards

DIN 4109

ISO 3822

Scottish Water  
Byelaws

UK Water Supply  
Regulations

Ü-Zeichen

XP P 41-280



## DORNBACHT YAMOU Three-hole basin mixer without pop-up waste - Soft Black

---

20 712 831

Certificates

---

ACS\_23 ACC NY

AbP\_10

WRAS\_2310

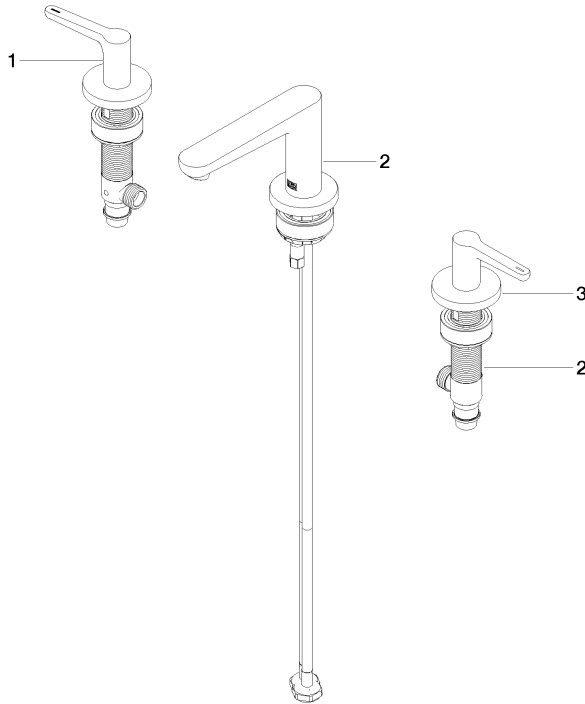


# DORNBACHT YAMOU Three-hole basin mixer without pop-up waste - Soft Black

20 712 831

**Product version from 1/1/2023**

Parts for other finishes can be found here: [Chrome](#)





DORNBACHT YAMOU Three-hole basin mixer without pop-up waste - Soft Black

---

20 712 831

**Spare parts list**

**Product version from 1/1/2023**

No.	Item Number	Name	Quantity used	Delivery time
	90 20 83 067 00-69	handle ( hot )	3	60