

MEM Three-hole basin mixer with pop-up waste - Brushed Platinum

MEM

20 713 782



- 165mm projection
- fixed spout
- rectangular, air-enriched flow
- height of mixer 277 mm
- height up to aerator 170 mm
- hole diameter spout 35 mm
- hole diameter valve 32 mm
- rosette 60 x 60 mm
- 2x screw-in M 10 x 1 pressure hose, leak-tested
- max. flow 8.3 l/min
- lead-free
- This product can help a building meet the requirements of Green Building Rating Systems, e.g. LEED®, BREEAM®, DGNB
- WRAS 2306057

Only suitable for basins with an overflow.

| | | |
|---|--------------------------------|---------------|
|  | Brushed Platinum | 20 713 782-06 |
|  | Chrome | 20 713 782-00 |
|  | Platinum | 20 713 782-08 |
|  | Dark Chrome | 20 713 782-19 |
|  | Brushed Durabronze (23kt Gold) | 20 713 782-28 |
|  | Brushed Champagne (22kt Gold) | 20 713 782-46 |
|  | Champagne (22kt Gold) | 20 713 782-47 |
|  | Brushed Dark Platinum | 20 713 782-99 |

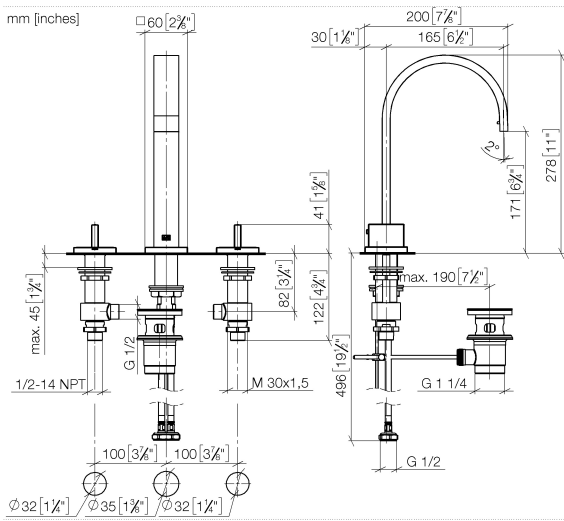
Recommended miscellaneous



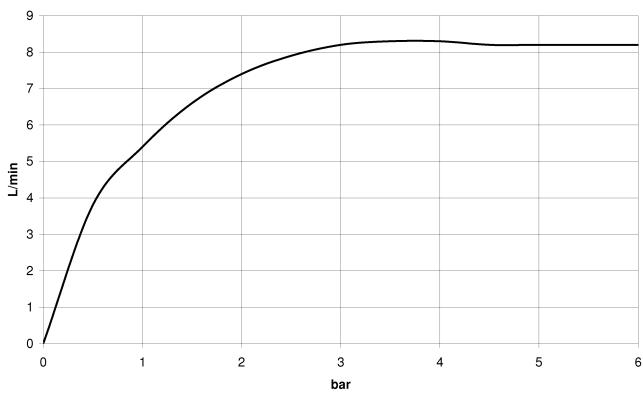
High pressure hoses -
 • 2x 3/8" x 1/2" x 500mm high pressure hose

12 506 970 90

20 713 782



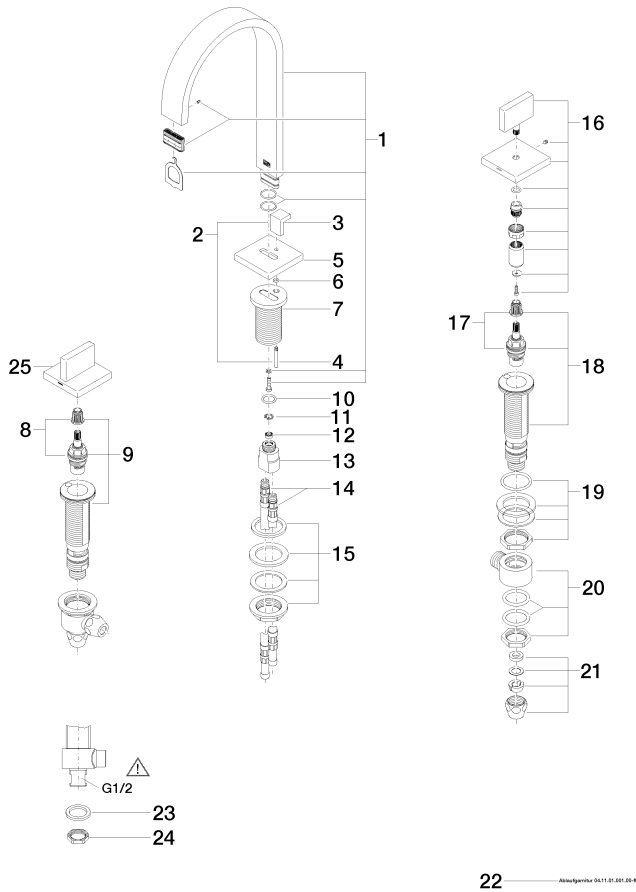
Flow rate chart



Certificates

WRAS_2306057. LGA_18594. ETA_18154. GDV_0400289.

20 713 782





MEM Three-hole basin mixer with pop-up waste - Brushed Platinum

MEM

20 713 782

Spare parts list

| No. | Item Number | Name | Quantity used | Delivery time |
|-----|--------------------|--------------------|---------------|---------------|
| 1 | 90 28 22 158 00-06 | spout | 1 | 10 |
| 2 | 04 20 78 030 80-06 | pull-rod | 1 | 10 |
| 3 | 09 20 78 030-06 | handle | 1 | 10 |
| 4 | 09 31 09 080-06 | pull-rod | 1 | 10 |
| 5 | 09 27 78 032-06 | rosette | 1 | 10 |
| 6 | 09 14 10 166 90 | seal | 1 | 2 |
| 7 | 09 11 10 054 10 90 | connection | 1 | 2 |
| 8 | 90 90 03 152 00 90 | top | 1 | 2 |
| 9 | 04 17 11 058 52 90 | side panel | 1 | 2 |
| 10 | 09 14 10 130 90 | seal | 1 | 2 |
| 11 | 09 16 01 016 90 | ring | 1 | 2 |
| 12 | 09 23 01 052 90 | flow reducer | 1 | 2 |
| 13 | 09 11 10 055 10 90 | connection | 1 | 2 |
| 14 | 04 30 04 016 00 90 | hose | 2 | 60 |
| 15 | 04 23 10 009 01 90 | fixing set | 1 | 2 |
| 16 | 90 20 78 002 04-06 | handle (cold) | 1 | 10 |
| 17 | 90 90 03 153 00 90 | top | 1 | 2 |
| 18 | 04 17 11 058 53 90 | side panel | 1 | 2 |
| 19 | 04 23 10 032 78 90 | fixing set | 2 | 2 |
| 20 | 04 17 11 023 10 90 | distributor | 2 | 2 |
| 21 | 90 23 30 040 00-06 | threaded connector | 4 | 10 |
| 22 | 90 11 01 001 00-06 | pop-up waste | 1 | 10 |
| 23 | 09 30 11 059 90 | disc | 2 | 2 |
| 24 | 09 23 10 012 90 | nut | 2 | 2 |
| 25 | 90 20 78 002 05-06 | handle (hot) | 1 | 10 |