





## DORNBACHT YAMOU Three-hole basin mixer with pop-up waste - Soft Black

---

20 713 831



- 125mm projection
- circular, air-enriched flow
- height of mixer 100 mm
- height up to aerator 85 mm
- hole diameter valve 32 mm
- hole diameter spout 35 mm
- rosette Ø 60 mm
- 2x screw-in M 8 x 1 pressure hose, leak-tested
- max. flow 6.8 l/min
- rosette Ø 60 mm
- WRAS 2310319

	Soft Black	20 713 831-69
	Chrome	20 713 831-00

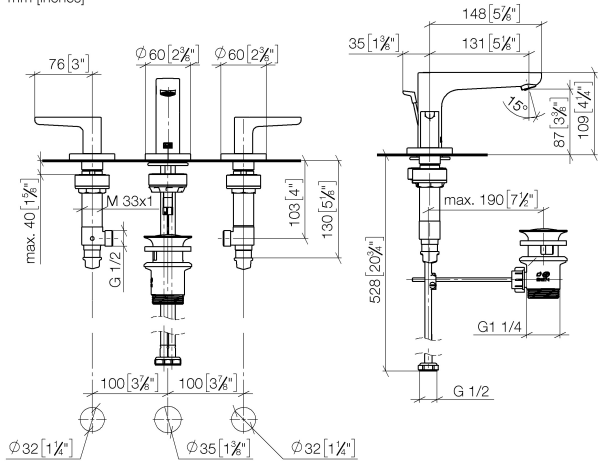
---



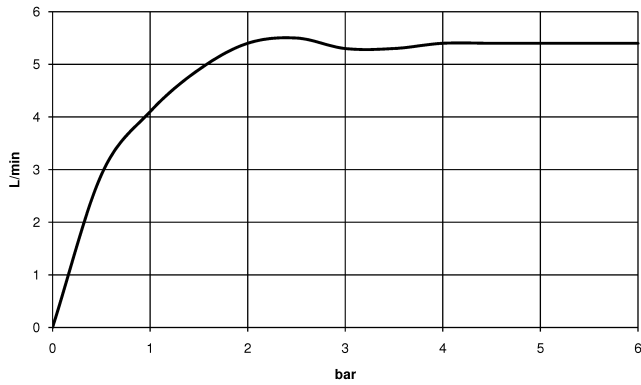
## DORNBRACHT YAMOU Three-hole basin mixer with pop-up waste - Soft Black

20 713 831

mm [inches]



### Flow rate chart



### Codes & Standards

DIN 4109

ISO 3822

Scottish Water  
Byelaws

UK Water Supply  
Regulations

Ü-Zeichen

XP P 41-280



## DORNBACHT YAMOU Three-hole basin mixer with pop-up waste - Soft Black

---

20 713 831

### Certificates

---

ACS\_23 ACC NY

AbP\_10

WRAS\_2310

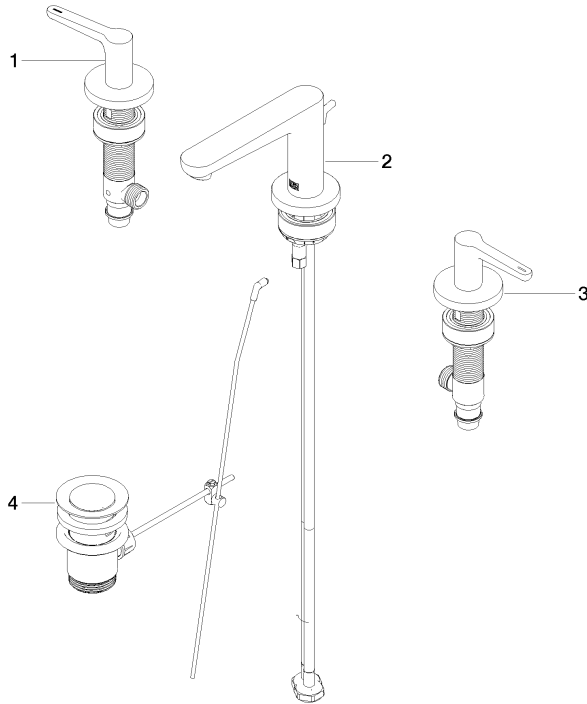


## DORNBACHT YAMOU Three-hole basin mixer with pop-up waste - Soft Black

20 713 831

### Product version from 1/1/2023

Parts for other finishes can be found here: [Chrome](#)





## DORNBACHT YAMOU Three-hole basin mixer with pop-up waste - Soft Black

---

20 713 831

### Spare parts list

#### Product version from 1/1/2023

No.	Item Number	Name	Quantity used	Delivery time
	90 20 83 067 00-69	handle ( hot )	4	60