

20 815 882



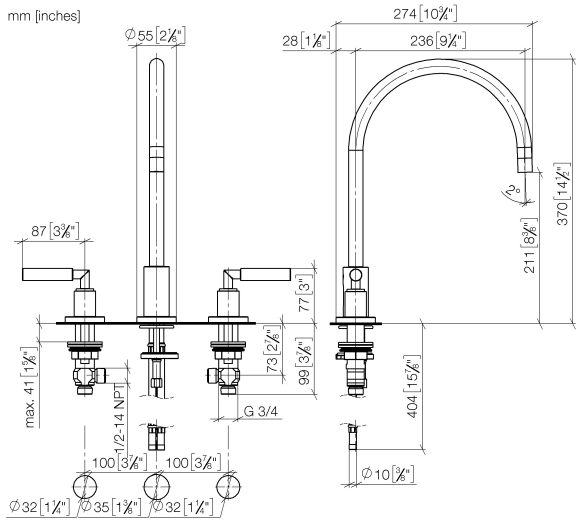
- 235mm projection
- pivotable spout 360°
- air-enriched flow
- height of mixer 370 mm
- height up to aerator 212 mm
- hole diameter spout 35 mm
- hole diameter valve 32 mm
- max. flow 7 l/min at 3 bar flow pressure
- lead-free
- This product can help a building meet the requirements of Green Building Rating Systems, e.g. LEED®, BREEAM®, DGNB
- WRAS 2107052

### Recommended miscellaneous

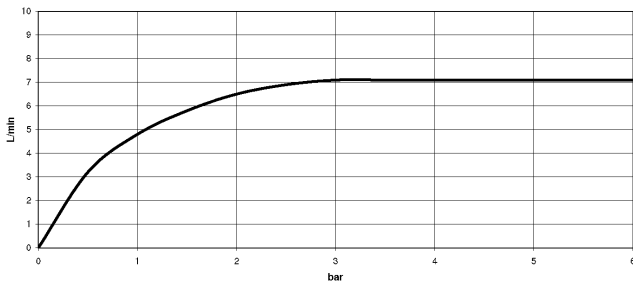
**Strainer waste with control handle 10 710 970-00**  
**- Chrome**



20 815 882



**Flow rate chart**



**Codes & Standards**

DIN 4109

EN 200

Executive Order  
no. 1007

ISO 3822

Scottish Water  
Byelaws

UK Water Supply  
Regulations

Ü-Zeichen

VA-Zeichen



TARA Three-hole mixer - Chrome

TARA

20 815 882

Certificates

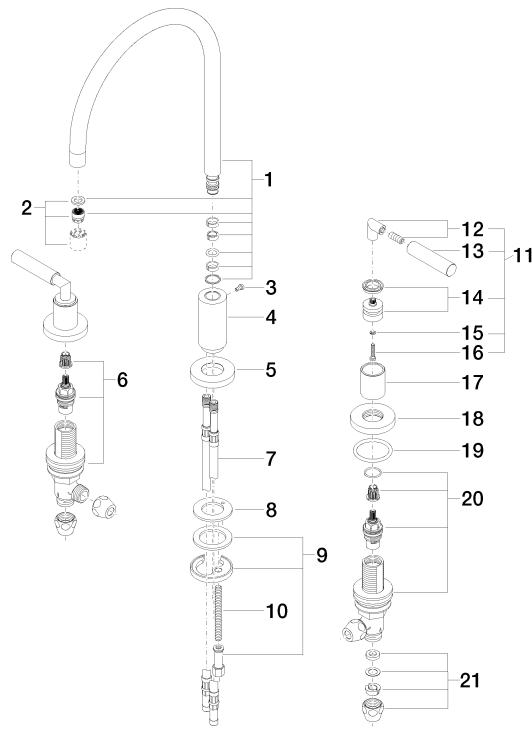
WRAS\_2107

LGA\_19

ETA\_18

GDV\_0400

Product version from 6/30/2009





## **Spare parts list**

**Product version from 6/30/2009**