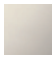

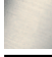





22 500 360



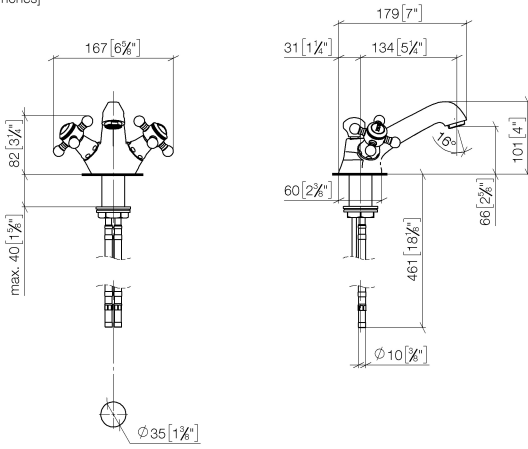
- 130mm projection
- fixed spout
- circular, air-enriched flow
- height of mixer 100 mm
- height up to aerator 65 mm
- hole diameter 35 mm
- 2x screw-in M 10 x 1 pressure hose, leak-tested
- max. flow 7 l/min
- lead-free
- This product can help a building meet the requirements of Green Building Rating Systems, e.g. LEED®, BREEAM®, DGNB
- WRAS 2107051

Only suitable for basins with an overflow.

	Platinum	22 500 360-08
	Chrome	22 500 360-00
	Brushed Platinum	22 500 360-06
	Durabrand (23kt Gold)	22 500 360-09
	Brushed Durabrand (23kt Gold)	22 500 360-28
	Brushed Dark Platinum	22 500 360-99

22 500 360

mm [inches]



Flow rate chart

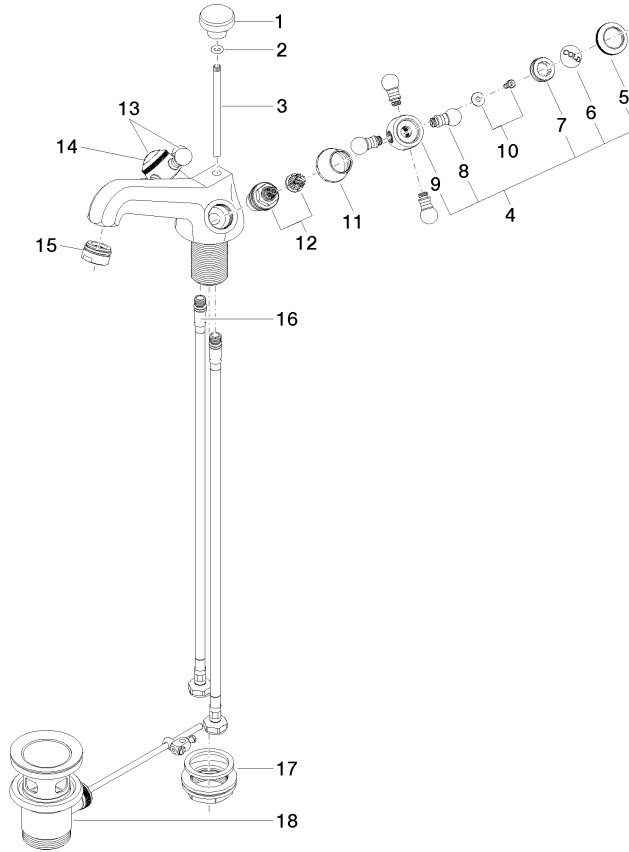


Certificates

WRAS_2107051. LGA_8017. ETA_17857.

22 500 360

Parts for other finishes can be found here: [Chrome](#)



Spare parts list

No.	Item Number	Name	Quantity used	Delivery time
1	09 20 36 030-08	handle	1	40
2	90 14 10 062 00 90	seal	1	2
3	09 31 09 004-08	pull-rod	1	40
4	04 20 36 002 06-08	handle (cold)	1	40
5	09 20 36 005-08	handle	2	40
6	09 26 01 010 90	accessories	1	2
7	09 20 83 006 90	handle	2	2
8	09 20 36 004-08	handle	8	40
9	09 20 36 002-08	handle	2	40
10	04 30 30 029 00 90	fixing set	2	2
11	09 21 02 055-08	cover	2	40
12	90 90 03 151 00 90	top	2	2
13	04 20 36 002 07-08	handle (hot)	1	40
14	09 26 01 011 90	accessories	1	2
15	90 23 01 118 01-08	aerator	1	-
Spare part can no longer be ordered, please order the replacement item				
16	04 30 04 104 00 90	hose	2	2
17	04 23 10 009 01 90	fixing set	1	2
18	90 11 01 001 00-08	pop-up waste	1	40