

**VAIA Single-hole basin mixer with pop-up waste - Brushed Champagne (22kt Gold)**

VAIA

22 513 809

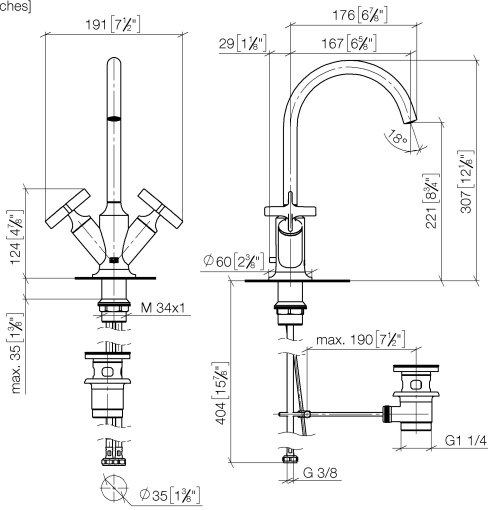


- 167mm projection
- pivotable spout 360°
- circular, air-enriched flow
- height of mixer 307 mm
- height up to aerator 221 mm
- hole diameter 35 mm
- rosette Ø 60 mm
- 2x screw-in M 10 x 1 pressure hose, leak-tested
- max. flow 5.7 l/min
- lead-free
- This product can help a building meet the requirements of Green Building Rating Systems, e.g. LEED®, BREEAM®, DGNB

Only suitable for basins with an overflow.

|   |                                |               |
|---|--------------------------------|---------------|
|  | Brushed Champagne (22kt Gold)  | 22 513 809-46 |
|  | Chrome                         | 22 513 809-00 |
|  | Brushed Platinum               | 22 513 809-06 |
|  | Platinum                       | 22 513 809-08 |
|  | Dark Chrome                    | 22 513 809-19 |
|  | Brushed Durabronze (23kt Gold) | 22 513 809-28 |
|  | Brushed Bronze                 | 22 513 809-42 |
|  | Champagne (22kt Gold)          | 22 513 809-47 |
|  | Brushed Dark Platinum          | 22 513 809-99 |

22 513 809  
mm [inches]



Flow rate chart

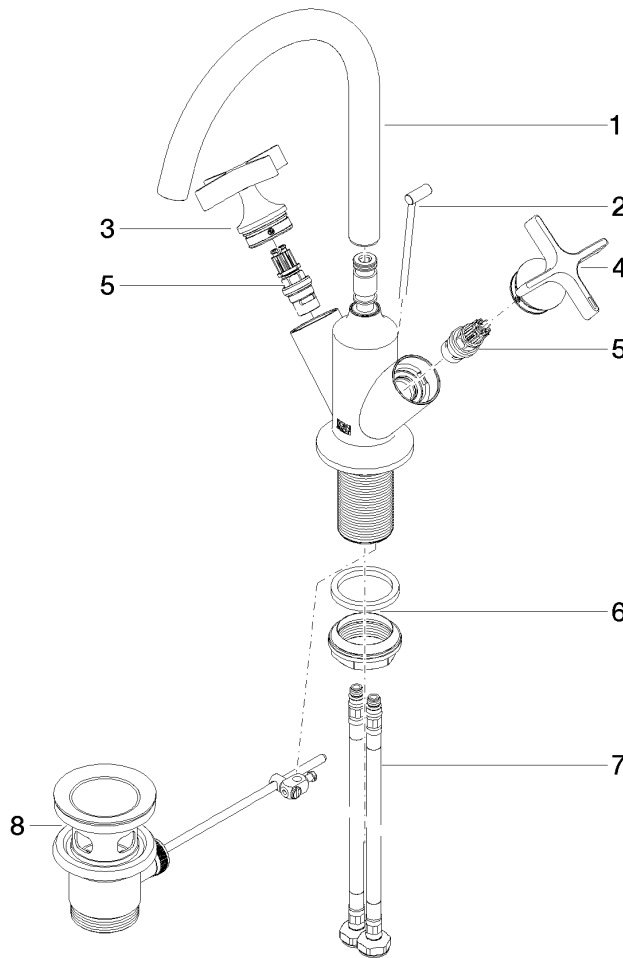


Certificates

LGA\_18920.

WRAS\_240102002.

22 513 809  
Parts for other  
finishes can be found  
here: [Chrome](#)



Spare parts list

| No. | Item Number        | Name            | Quantity used | Delivery time |
|-----|--------------------|-----------------|---------------|---------------|
| 1   | 90 28 22 320 00-46 | spout           | 1             | 30            |
| 2   | 04 20 89 035 80-46 | pull-rod        | 1             | 30            |
| 3   | 90 20 66 029 01-46 | handle ( hot )  | 1             | 30            |
| 4   | 90 20 66 028 00-46 | handle ( cold ) | 1             | 30            |
| 5   | 90 90 03 175 00 90 | top             | 2             | 2             |
| 6   | 04 23 10 044 07 90 | fixing set      | 1             | 2             |
| 7   | 04 30 04 100 00 90 | hose            | 2             | 2             |
| 8   | 90 11 01 001 00-46 | pop-up waste    | 1             | 30            |