

22 513 809

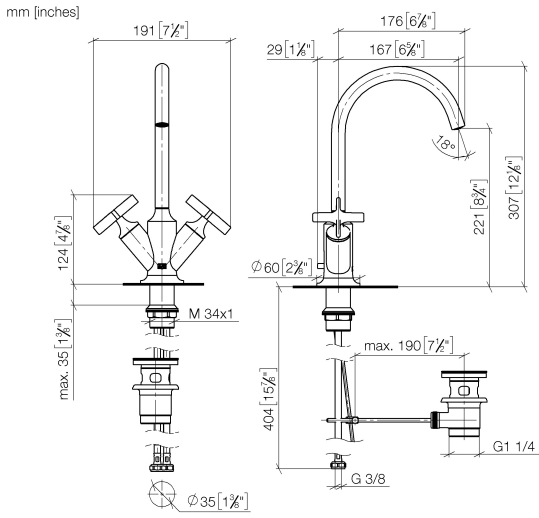


- 167mm projection
- pivotable spout 360°
- circular, air-enriched flow
- height of mixer 307 mm
- height up to aerator 221 mm
- hole diameter 35 mm
- rosette Ø 60 mm
- 2x screw-in M 10 x 1 pressure hose, leak-tested
- max. flow 5.7 l/min
- lead-free
- This product can help a building meet the requirements of Green Building Rating Systems, e.g. LEED®, BREEAM®, DGNB

Only suitable for basins with an overflow.

	Brushed Dark Platinum	22 513 809-99
	Chrome	22 513 809-00
	Brushed Platinum	22 513 809-06
	Platinum	22 513 809-08
	Dark Chrome	22 513 809-19
	Brushed Durabronze (23kt Gold)	22 513 809-28
	Brushed Bronze	22 513 809-42
	Brushed Champagne (22kt Gold)	22 513 809-46
	Champagne (22kt Gold)	22 513 809-47

22 513 809



**Flow rate chart**



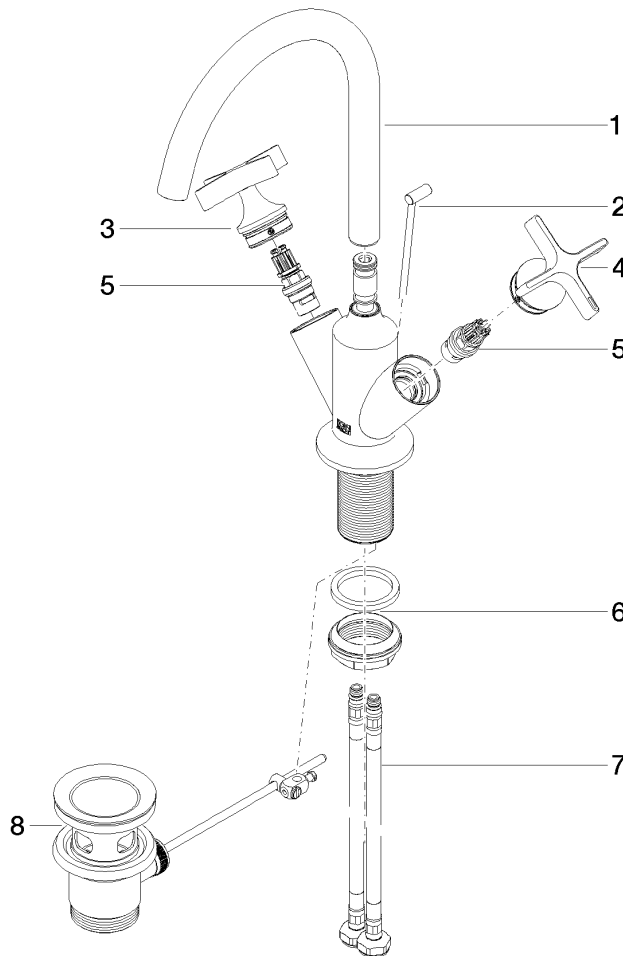
**Certificates**

LGA\_18920.

WRAS\_240102002.

22 513 809

Parts for other finishes can be found here: [Chrome](#)



**Spare parts list**

No.	Item Number	Name	Quantity used	Delivery time
1	90 28 22 320 00-99	spout	1	30
2	04 20 89 035 80-99	pull-rod	1	30
3	90 20 66 029 01-99	handle ( hot )	1	30
4	90 20 66 028 00-99	handle ( cold )	1	30
5	90 90 03 175 00 90	top	2	2
6	04 23 10 044 07 90	fixing set	1	2
7	04 30 04 100 00 90	hose	2	2
8	90 11 01 001 00-99	pop-up waste	1	30