






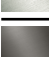
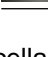
**IMO Single-hole basin mixer with stand pipe without pop-up waste - Brushed Light Gold**

IMO

22 585 671



- 195mm projection
- fixed spout
- rectangular, air-enriched flow
- total height 1038 - 1103 mm
- height up to aerator 970 – 1040 mm
- rosette Ø 135 mm
- max. flow 4.6 l/min
- lead-free
- This product can help a building meet the requirements of Green Building Rating Systems, e.g. LEED®, BREEAM®, DGNB

|  |                       |               |
|--|-----------------------|---------------|
|  | Brushed Light Gold    | 22 585 671-27 |
|  | Chrome                | 22 585 671-00 |
|  | Brushed Platinum      | 22 585 671-06 |
|  | Dark Chrome           | 22 585 671-19 |
|  | Matte Black           | 22 585 671-33 |
|  | Brushed Chrome        | 22 585 671-93 |
|  | Brushed Dark Platinum | 22 585 671-99 |

**Required miscellaneous**



- Concealed floor mounting -**
- min. recess depth 80 mm
  - max. recess depth 150 mm

35 945 970 90

**Required miscellaneous**



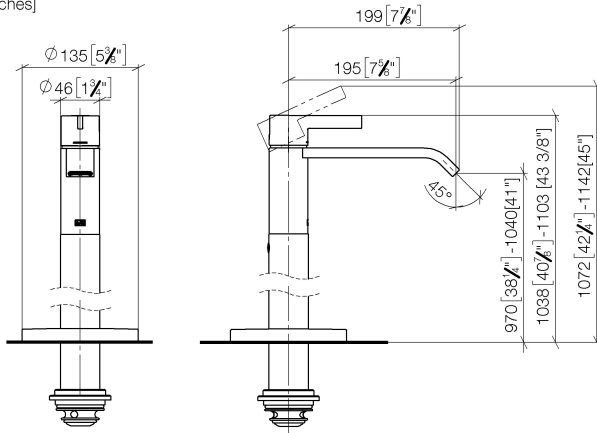
- Concealed floor mounting -**
- min. recess depth 80 mm
  - max. recess depth 150 mm

35 945 970 90

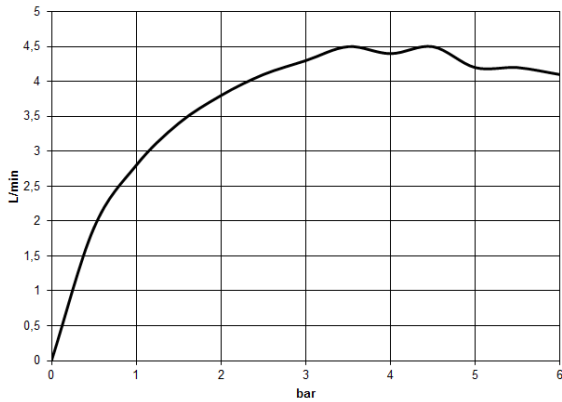
**IMO Single-hole basin mixer with stand pipe without pop-up waste - Brushed  
Light Gold**

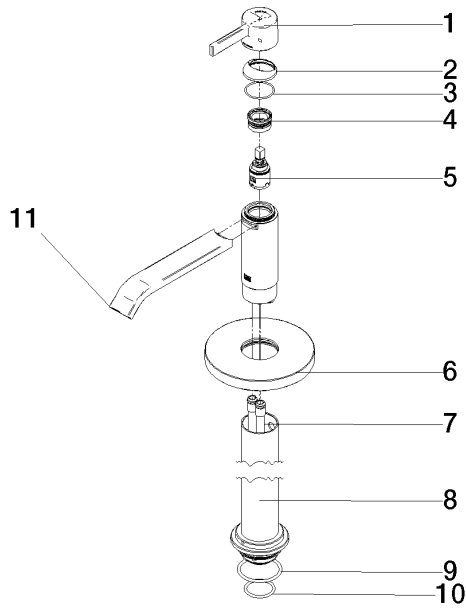
IMO

22 585 671  
mm [inches]



**Flow rate chart**







IMO Single-hole basin mixer with stand pipe without pop-up waste - Brushed  
Light Gold

---

IMO

22 585 671

## **Spare parts list**