

VAIA Single-hole basin mixer with stand pipe without pop-up waste - Brushed Dark Platinum

VAIA

22 585 809



- 202mm projection
- pivotable spout 360°
- circular, air-enriched flow
- total height 1251 - 1321 mm
- height up to aerator 1152 – 1222 mm
- rosette Ø 135 mm
- max. flow 5.7 l/min
- lead-free
- This product can help a building meet the requirements of Green Building Rating Systems, e.g. LEED®, BREEAM®, DGNB
- WRAS 240102001

	Brushed Dark Platinum	22 585 809-99
	Chrome	22 585 809-00
	Brushed Platinum	22 585 809-06
	Platinum	22 585 809-08
	Dark Chrome	22 585 809-19
	Brushed Durabronze (23kt Gold)	22 585 809-28
	Brushed Bronze	22 585 809-42
	Brushed Champagne (22kt Gold)	22 585 809-46
	Champagne (22kt Gold)	22 585 809-47

Required miscellaneous



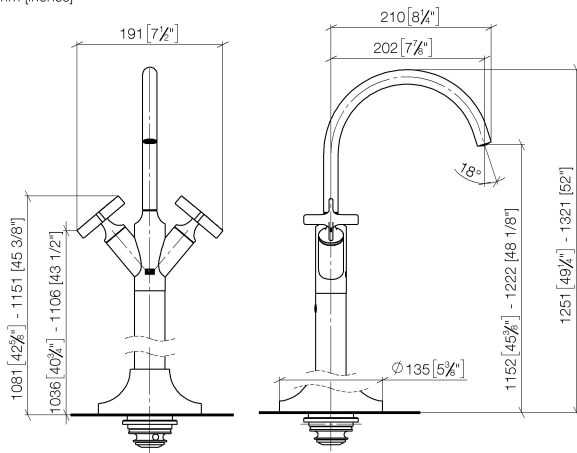
- Concealed floor mounting -**
- max. recess depth 150 mm
 - min. recess depth 80 mm

35 945 970 90

VAIA Single-hole basin mixer with stand pipe without pop-up waste - Brushed Dark Platinum

VAIA

22 585 809
mm [inches]



Flow rate chart



Certificates

LGA_38416.

WRAS_240102001.

22 585 809



Spare parts list

No.	Item Number	Name	Quantity used	Delivery time
1	90 28 22 313 00-99	spout	1	30
2	90 20 66 028 00-99	handle (cold)	1	30
3	90 20 66 029 01-99	handle (hot)	1	30
4	90 90 03 175 00 90	top	2	2
5	09 31 11 040 90	pin	1	2
6	09 24 03 193 90	adaptor	1	2
7	09 30 30 047 90	screw	1	2
8	09 14 10 139 90	seal	4	2
9	04 28 22 022 10 90	connection	2	2
10	04 31 11 002 00 90	pin	1	2
11	04 28 22 028 00-99	pipe	1	60
12	90 27 80 033 00-99	rosette	1	30
13	09 14 10 084 90	seal	1	2
14	09 14 10 018 90	seal	1	2