

## TARA Angle valve - Brushed Bronze

22 900 892 Product version from 5/27/2021



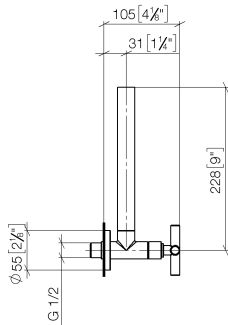
- rosette Ø 55 mm
- hose covering 200mm, for shortening

	Brushed Bronze	22 900 892-42
	Chrome	22 900 892-00
	Brushed Platinum	22 900 892-06
	Platinum	22 900 892-08
	Dark Chrome	22 900 892-19
	Brushed Durabronze (23kt Gold)	22 900 892-28
	Matte Black	22 900 892-33
	Brushed Champagne (22kt Gold)	22 900 892-46
	Champagne (22kt Gold)	22 900 892-47
	Brushed Dark Platinum	22 900 892-99

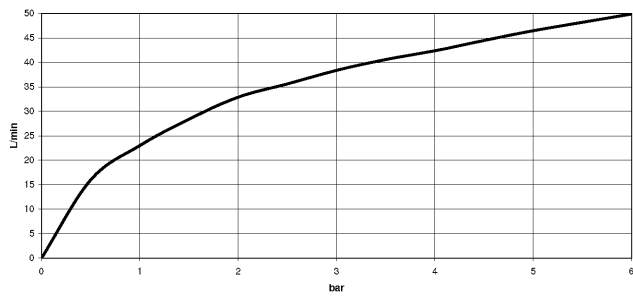
## TARA Angle valve - Brushed Bronze

22 900 892 Product version from 5/27/2021

mm [inches]



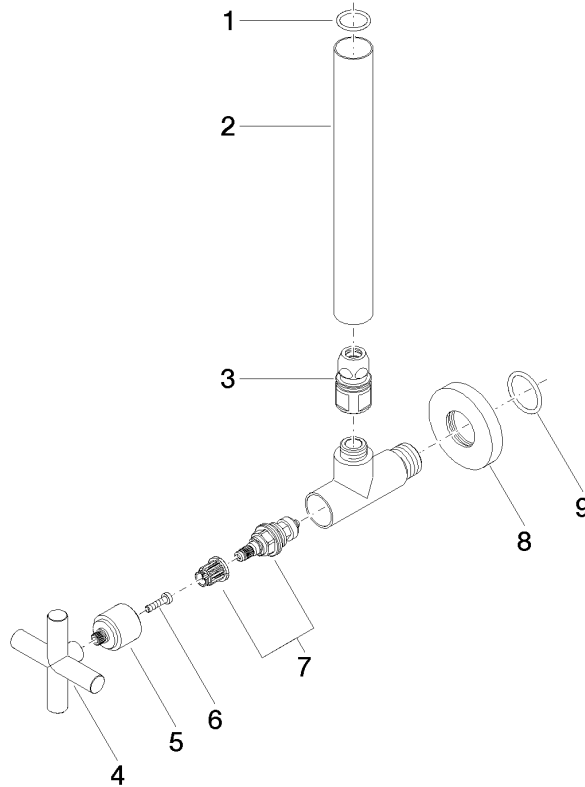
### Flow rate chart



## TARA Angle valve - Brushed Bronze

22 900 892 Product version from 5/27/2021

Parts for other finishes can be found here: [Chrome](#)



### Spare parts list

No.	Item Number	Name	Quantity used	Delivery time
1	90 14 10 010 00 90	seal	1	2
2	09 28 22 020-42	pipe	1	60
3	90 24 03 276 00 90	conversion kit	1	2
4	09 20 89 010-42	handle	1	60
5	09 12 12 041-42	base	1	60
6	09 30 30 069 90	screw	1	2
7	90 90 03 006 00 90	top	1	2
8	09 27 22 015-42	rosette	1	60
9	09 14 10 093 90	seal	1	2