

VAIA Single-lever bath mixer with stand pipe for free-standing assembly with hand shower set - Brushed Champagne (22kt Gold)

25 863 809



- spout: circular, air-enriched flow
- max. flow 24.6 l/min at 3 bar flow pressure
- Hand shower: COMPACT RAIN, max. flow rate 6.8 l/min (at 3 bar)
- bar-type hand shower with anti-scale system
- 281mm projection
- pivotable spout 360°
- automatic bath/shower diverter
- total height 1057 - 1127 mm
- wall bracket
- stand pipe height 565 - 635 mm
- height up to aerator 925 – 995 mm
- slide-on rosettes Ø 135 mm
- metal shower hose 1250mm with integrated anti-twist protection
- WRAS

Intrinsic protection against back flow.

Intrinsic protection against back flow.

	Brushed Champagne (22kt Gold)	25 863 809-46
	Chrome	25 863 809-00
	Brushed Platinum	25 863 809-06
	Platinum	25 863 809-08
	Dark Chrome	25 863 809-19
	Brushed Durabronze (23kt Gold)	25 863 809-28
	Brushed Bronze	25 863 809-42
	Champagne (22kt Gold)	25 863 809-47
	Brushed Dark Platinum	25 863 809-99

Required miscellaneous



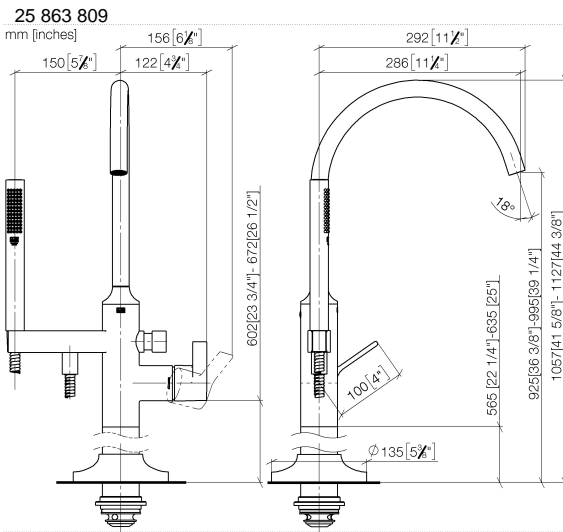
Concealed floor mounting -

35 945 970 90

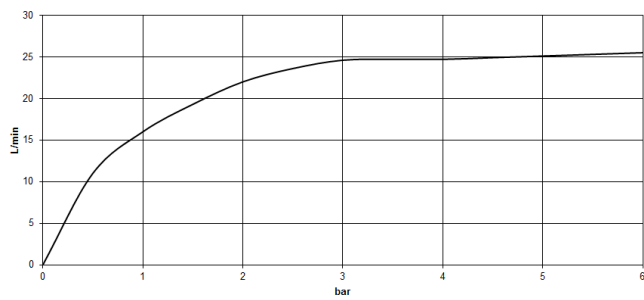
- max. recess depth mm
- min. recess depth mm



VAIA Single-lever bath mixer with stand pipe for free-standing assembly with hand shower set - Brushed Champagne (22kt Gold)



Flow rate chart



Codes & Standards

ASME A112.18.1

cUPC

EN 1717



VAIA Single-lever bath mixer with stand pipe for free-standing assembly with hand shower set - Brushed Champagne (22kt Gold)

25 863 809

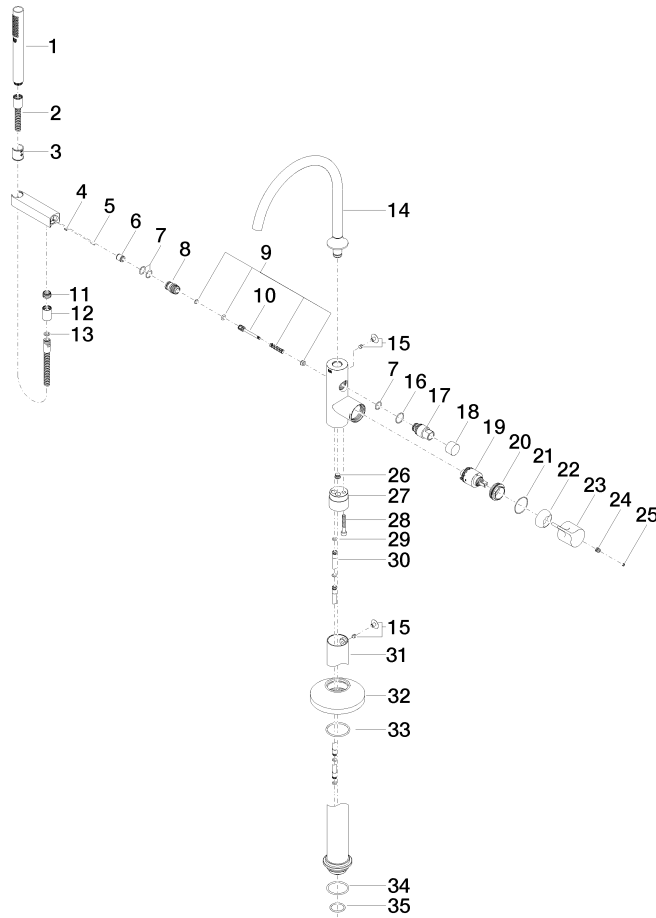
Certificates

IAPMO_4976

Belgaqua_24-003-2

VAIA Single-lever bath mixer with stand pipe for free-standing assembly with hand shower set - Brushed Champagne (22kt Gold)

25 863 809





VAIA Single-lever bath mixer with stand pipe for free-standing assembly with hand shower set - Brushed Champagne (22kt Gold)

25 863 809

Spare parts list

No.	Item Number	Name	Quantity used	Delivery time
1	90 12 11 140 41-46	shower	1	30
2	90 30 02 072 00-46	Metal shower hose 1/2" x 3/8" x 1250 mm - Brushed Champagne (22kt Gold)	1	30
3	09 18 40 118 90	sleeve	1	2
4	09 31 11 058 90	pin	1	2
5	09 31 11 040 90	pin	1	2
6	90 23 01 141 00 90	back-flow preventer	1	2
7	90 14 10 010 00 90	seal	3	2
8	09 24 03 153 20-46	nipple	1	-
Spare part can no longer be ordered, please order the replacement item				
9	90 16 02 023 00 90	spring	1	2
10	09 31 09 102 20-46	pull-rod	1	-
Spare part can no longer be ordered, please order the replacement item				
11	09 24 03 069 90	nipple	1	2
12	90 21 02 069 00-46	cover	1	30
13	90 14 20 026 00 90	seal	1	2
14	90 28 22 327 00-46	spout	1	30
15	04 31 20 036 00 90	plug	2	2
16	09 14 10 112 90	seal	1	2
17	09 21 34 081 20-46	nipple	1	30
18	09 20 88 002-46	handle	1	30
19	90 15 05 039 00 90	cartridge	1	2
20	09 24 04 298 90	nut	1	2
21	09 14 10 037 90	seal	1	2
22	09 28 30 036-46	cover	1	30
23	09 20 80 022-46	handle	1	30
24	90 31 11 030 00 90	pin	1	2
25	90 31 20 087 00-46	plug	1	30
26	04 31 20 039 11 90	plug	1	2
27	09 24 03 152 20-46	adaptor	1	-
Spare part can no longer be ordered, please order the replacement item				
28	09 30 30 111 90	screw	1	2
29	09 14 10 139 90	seal	2	2
30	04 28 22 025 00 90	connection	2	2
31	04 28 22 030 00-46	pipe	1	30
32	09 27 80 022-46	rosette	1	30
33	90 14 10 129 00 90	seal	1	2
34	09 14 10 084 90	seal	1	2
35	09 14 10 018 90	seal	1	2