

**VAIA Two-hole bath mixer for free-standing assembly with hand shower set -
Dark Chrome**

25 943 819



- spout: circular, air-enriched flow
- max. flow 24.6 l/min at 3 bar flow pressure
- Hand shower: COMPACT RAIN, max. flow rate 6.8 l/min (at 3 bar)
- hand shower with anti-scale system
- 221mm projection
- pivotable spout 360°
- rotary diverter for bath/shower
- total height 920 mm
- stand pipes height 628 mm
- height up to aerator 816 mm
- slide-on rosettes Ø 100 mm
- gauge 150 mm
- metal shower hose 1250mm with integrated anti-twist protection
- pivotable shower holder on the right foot
- WRAS

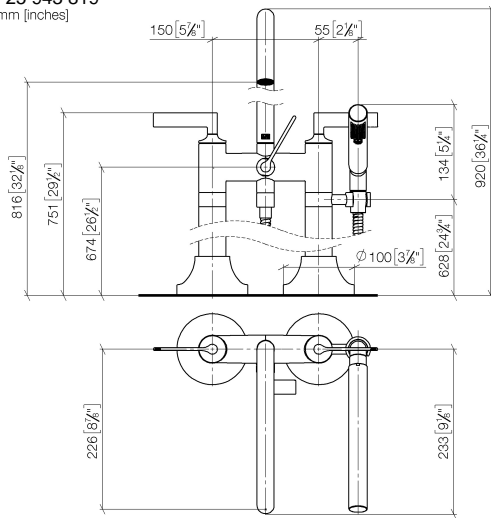
Intrinsic protection against back flow.

	Dark Chrome	25 943 819-19
	Chrome	25 943 819-00
	Brushed Platinum	25 943 819-06
	Platinum	25 943 819-08
	Brushed Durabronze (23kt Gold)	25 943 819-28
	Brushed Bronze	25 943 819-42
	Brushed Champagne (22kt Gold)	25 943 819-46
	Champagne (22kt Gold)	25 943 819-47
	Brushed Dark Platinum	25 943 819-99



VAIA Two-hole bath mixer for free-standing assembly with hand shower set - Dark Chrome

25 943 819
mm [inches]



Flow rate chart



Codes & Standards

ASME A112.18.1	cUPC	DIN 4109	EN 1717
ISO 3822	Scottish Water Byelaws	UK Water Supply Regulations	Ü-Zeichen



VAIA Two-hole bath mixer for free-standing assembly with hand shower set -
Dark Chrome

25 943 819

Certificates

IAPMO_4976

Belgauqa_22_276_2 LGA_29

WRAS_240502

**VAIA Two-hole bath mixer for free-standing assembly with hand shower set -
Dark Chrome**

25 943 819

Parts for other
finishes can be found
here: [Chrome](#)

