

**Shower system with single-lever shower mixer without hand shower  
FlowReduce - Brushed Bronze**

TARA

26 025 661



Fits: TARA, VAIA, META

- shower with fixed riser projection 450mm
- pivotable 180°
- Rain shower: PURE RAIN, max. flow rate 9 l/min (at 3 bar)
- Function from: 7 l/min
- rain shower Ø 300 mm
- rain shower with anti-scale system
- rosette for shower holder Ø 55mm
- slide-on rosettes Ø 55 mm
- 1500 mm metal shower hose
- height of fittings up to top edge of elbow 2280mm
- height of fittings up to rain shower (bottom edge) 1940mm
- automatic diverter for fixed-riser shower/hand shower
- Pipe diameter 20 mm
- quick clearing
- This product can help a building meet the requirements of Green Building Rating Systems, e.g. LEED®, BREEAM®, DGNB

This article does not include a hand shower!

Water carrying concealed rough parts on lower wall fixing.

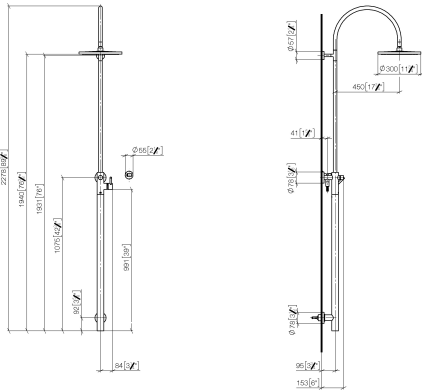
Recommended spacing from bottom edge of shower stem to floor 92 mm.

Intrinsic protection against back flow.

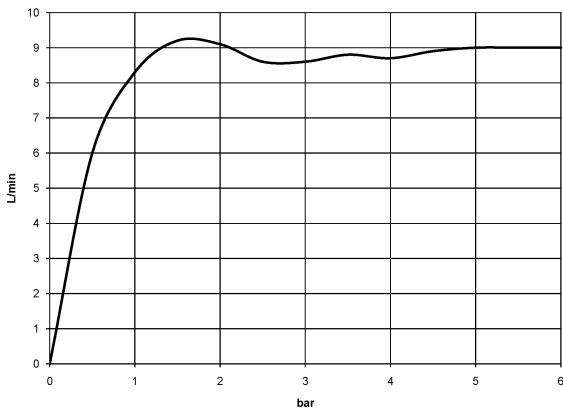
	Brushed Bronze	26 025 661-42
	Chrome	26 025 661-00
	Brushed Platinum	26 025 661-06
	Platinum	26 025 661-08
	Dark Chrome	26 025 661-19
	Light Gold	26 025 661-26
	Brushed Light Gold	26 025 661-27
	Brushed Durabronze (23kt Gold)	26 025 661-28
	Matte Black	26 025 661-33
	Brushed Champagne (22kt Gold)	26 025 661-46
	Champagne (22kt Gold)	26 025 661-47
	Brushed Chrome	26 025 661-93
	Brushed Dark Platinum	26 025 661-99

26 025 661

mm (inch)



Flow rate chart



Codes & Standards

DIN 4109

EN 1717

ISO 3822

Ü-Zeichen



Shower system with single-lever shower mixer without hand shower  
FlowReduce - Brushed Bronze

---

TARA

26 025 661

Certificates

---

Belgaqua\_24-004-2 LGA\_29





Shower system with single-lever shower mixer without hand shower  
FlowReduce - Brushed Bronze

---

TARA

26 025 661

**Spare parts list**

**Product version from 4/1/2024**

No.	Item Number	Name	Quantity used	Delivery time
	90 12 05 091 20-42	shower	74	30