


26 413 360




- slide bar
- Pipe diameter 18 mm
- rosette Ø 60 mm
- gauge 850 mm
- metal shower hose 1750mm with integrated anti-twist protection
- shower hose connector 1/2"
- WRAS

This article does not include a hand shower!


Recommended miscellaneous

	Concealed wall elbow - •max. recess depth mm •min. recess depth mm	35 085 970 90
-----------------------------------------------------------------------------------	---------------------------------------------------------------------------------	---------------

Recommended miscellaneous

	MADISON Wall elbow - Chrome	28 450 410-00
------------------------------------------------------------------------------------	------------------------------------	---------------


Required miscellaneous

	MADISON Hand shower FlowReduce - Chrome •spray head Ø 95mm •Hand shower see page {PAGE} •Three settings: COMPACT RAIN, COMPACT SOFT FLOW, COMPACT AQUAPRESSURE FLOW, max. flow rate l/min (at 3 bar)	28 002 978-00 0010
-------------------------------------------------------------------------------------	-----------------------------------------------------------------------------------------------------------------------------------------------------------------------------------------------------------------------------------	-----------------------

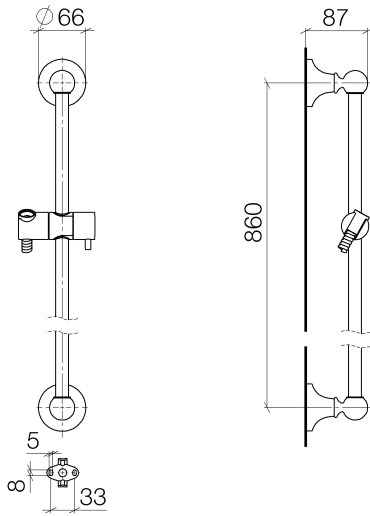
Required miscellaneous

	MADISON Hand shower - Chrome •spray head Ø 95mm •Hand shower see page {PAGE} •Three settings: COMPACT RAIN, COMPACT SOFT FLOW, COMPACT AQUAPRESSURE FLOW, max. flow rate l/min (at 3 bar)	28 002 978-00
-----------------------------------------------------------------------------------	--------------------------------------------------------------------------------------------------------------------------------------------------------------------------------------------------------------------	---------------

Required miscellaneous

	MADISON Metal hand shower with porcelain insert (white) FlowReduce - Chrome	28 002 970-00 0010
-------------------------------------------------------------------------------------	--------------------------------------------------------------------------------------------	-----------------------

26 413 360



Codes & Standards

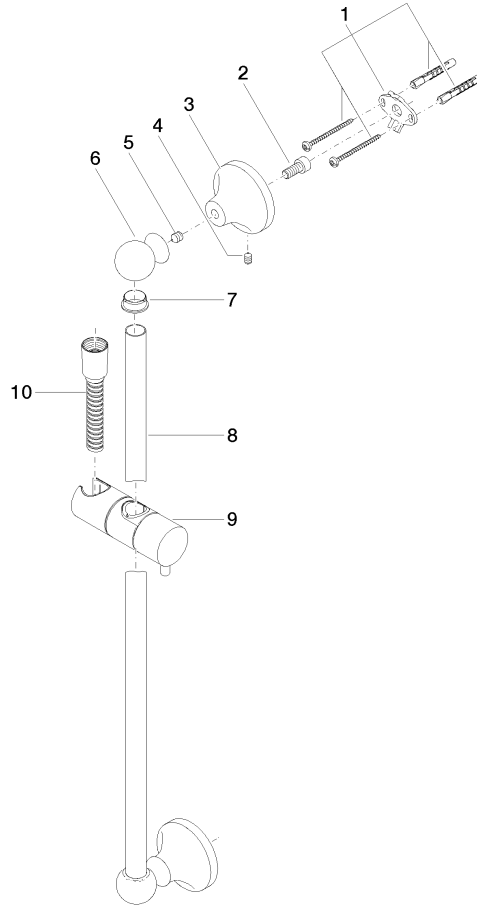
Scottish Water
Byelaws

UK Water Supply
Regulations

Certificates

WRAS_2009

26 413 360



Spare parts list

No.	Item Number	Name	Quantity used	Delivery time
1	90 17 20 708 00 90	fixing set	2	2
2	09 30 30 048 90	screw	2	2
3	09 17 20 016-00	holder	2	10
4	09 31 11 144 90	pin	2	2
5	09 31 11 002 90	pin	2	2
6	09 21 40 020-00	connection	2	60
7	09 18 40 009 90	sleeve	2	2
8	08 28 22 596-00	pipe	1	10
9	12 580 970-00	Slide unit - Chrome	1	10
10	28 204 970-00	Metal shower hose 1/2" x 1/2" x 1750 mm - Chrome	1	2