

26 413 360



- slide bar
- Pipe diameter 18 mm
- rosette Ø 60 mm
- gauge 850 mm
- metal shower hose 1750mm with integrated anti-twist protection
- shower hose connector 1/2"
- WRAS 2009048

This article does not include a hand shower!

	Brushed Dark Platinum	26 413 360-99
	Chrome	26 413 360-00
	Brushed Platinum	26 413 360-06
	Platinum	26 413 360-08
	Durabross (23kt Gold)	26 413 360-09
	Brushed Durabross (23kt Gold)	26 413 360-28

Recommended miscellaneous



- Concealed wall elbow -** 35 085 970 90
- max. recess depth 163 mm
 - min. recess depth 90 mm

Recommended miscellaneous



- MADISON Wall elbow - Brushed Dark Platinum** 28 450 410-99

Required miscellaneous



- MADISON Metal hand shower with porcelain insert (white)** 28 002 970-99
FlowReduce - Brushed Dark Platinum 0010

Required miscellaneous



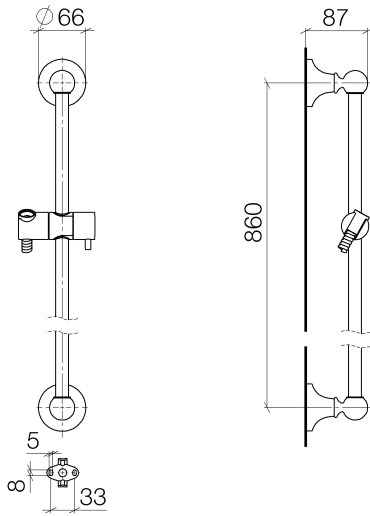
- MADISON Hand shower - Brushed Dark Platinum** 28 002 978-99
- spray head Ø 95mm
 - Hand shower see page {PAGE}
 - Three settings: COMPACT RAIN, COMPACT SOFT FLOW, COMPACT AQUAPRESSURE FLOW, max. flow rate l/min (at 3 bar)

Required miscellaneous



- MADISON Hand shower FlowReduce - Brushed Dark Platinum** 28 002 978-99
 0010
- spray head Ø 95mm
 - Hand shower see page {PAGE}
 - Three settings: COMPACT RAIN, COMPACT SOFT FLOW, COMPACT AQUAPRESSURE FLOW, max. flow rate l/min (at 3 bar)

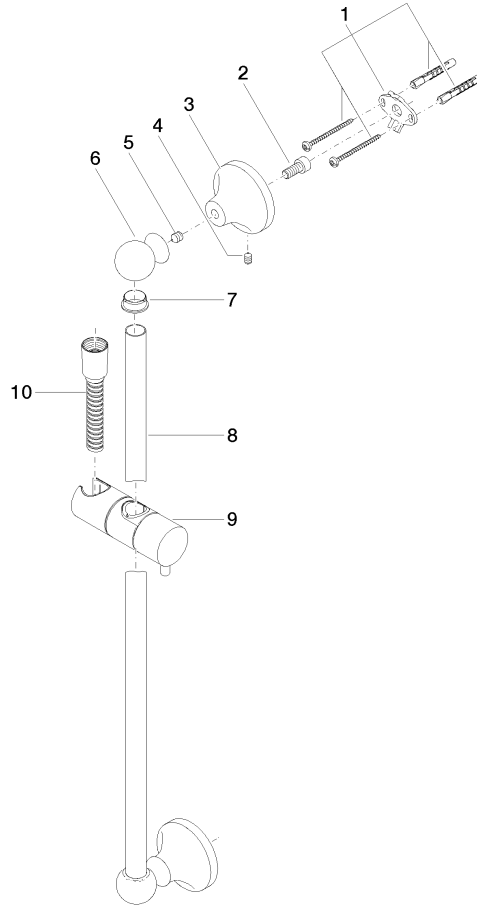
26 413 360



Certificates

WRAS_2009048. IAPMO_4976 (2).

26 413 360



Spare parts list

No.	Item Number	Name	Quantity used	Delivery time
1	90 17 20 708 00 90	fixing set	2	2
2	09 30 30 048 90	screw	2	2
3	09 17 20 016-99	holder	2	30
4	09 31 11 144 90	pin	2	2
5	09 31 11 002 90	pin	2	2
6	09 21 40 020-99	connection	2	30
7	09 18 40 009 90	sleeve	2	2
8	08 28 22 596-99	pipe	1	30
9	12 580 970-99	Slide unit - Brushed Dark Platinum	1	30
10	28 204 970-99	Metal shower hose 1/2" x 1/2" x 1750 mm - Brushed Dark Platinum	1	2