

Shower set without hand shower - Brushed Platinum

IMO

26 413 979



Fits: IMO, LULU, MEM, TARA, CL.1, LISSÉ, VAIA, META, CYO

- slide bar
- Pipe diameter 18 mm
- gauge 853 mm
- metal shower hose 1750mm with integrated anti-twist protection
- shower hose connector 3/8"
- WRAS 2009048

This article does not include a hand shower!

	Brushed Platinum	26 413 979-06
	Chrome	26 413 979-00
	Platinum	26 413 979-08
	Dark Chrome	26 413 979-19
	Light Gold	26 413 979-26
	Brushed Light Gold	26 413 979-27
	Brushed Durabrass (23kt Gold)	26 413 979-28
	Matte Black	26 413 979-33
	Brushed Bronze	26 413 979-42
	Brushed Champagne (22kt Gold)	26 413 979-46
	Champagne (22kt Gold)	26 413 979-47
	Brushed Chrome	26 413 979-93
	Brushed Dark Platinum	26 413 979-99

Recommended miscellaneous

	Concealed wall elbow - •max. recess depth 163 mm •min. recess depth 90 mm	35 085 970 90
--	--	---------------

Recommended miscellaneous

	LISSÉ Wall elbow - Brushed Platinum	28 450 845-06
--	--	---------------

Required miscellaneous

	Hand shower FlowReduce - Brushed Platinum	28 016 979-06 0010
--	--	--------------------

Required miscellaneous

	Hand shower FlowReduce - Brushed Platinum	28 012 979-06 0010
--	--	--------------------

Required miscellaneous

	Hand shower - Brushed Platinum	28 018 979-06
--	---------------------------------------	---------------

Recommended miscellaneous

	Wall elbow - Brushed Platinum	28 450 980-06
--	--------------------------------------	---------------

Required miscellaneous

	Hand shower - Brushed Platinum	28 012 979-06
--	---------------------------------------	---------------

Required miscellaneous

	Hand shower - Brushed Platinum	28 017 979-06
--	---------------------------------------	---------------

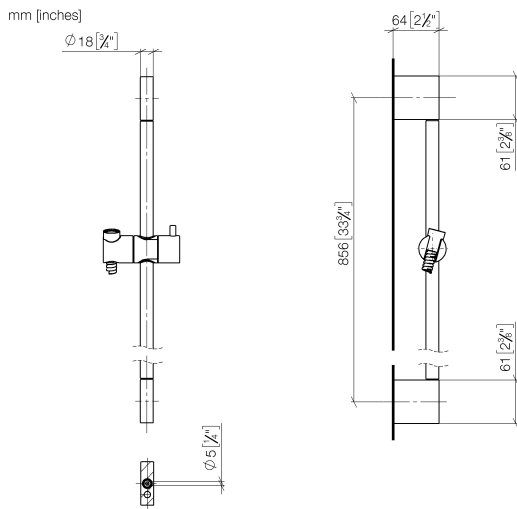
Required miscellaneous

	Hand shower - Brushed Platinum	28 016 979-06
--	---------------------------------------	---------------

Required miscellaneous

	Hand shower FlowReduce - Brushed Platinum	28 018 979-06 0010
--	--	--------------------

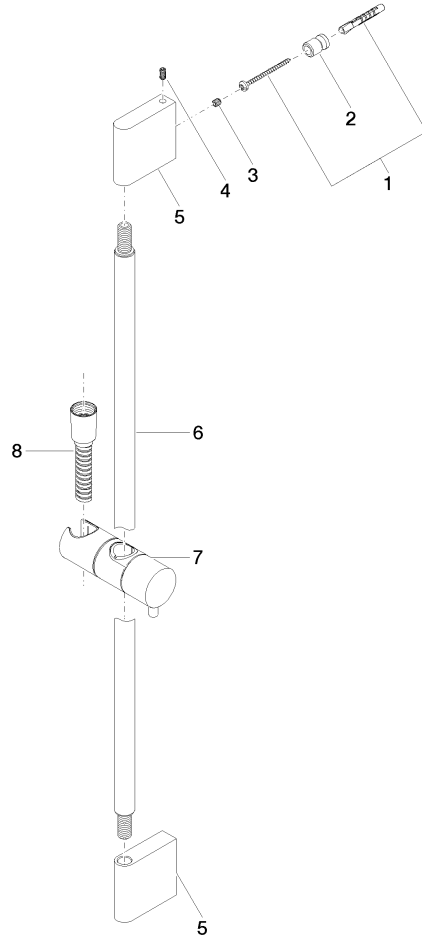
26 413 979



Certificates

WRAS_2009048. ACS_20 ACC LY 738. IAPMO_4976 (1).

26 413 979



Spare parts list

No.	Item Number	Name	Quantity used	Delivery time
1	05 17 20 726 02 90	fixing set	2	2
2	08 17 20 726 90	holder	2	2
3	09 31 11 049 90	pin	2	2
4	04 31 11 113 00 90	pin	2	2
5	08 17 97 054-06	holder	2	10
6	90 28 22 597 00-06	holder	1	10
7	12 580 970-06	Slide unit - Brushed Platinum	1	10
8	28 322 970-06	Metal shower hose 1/2" x 3/8" x 1750 mm - Brushed Platinum	1	2