

26 633 892



- shower with fixed riser projection 420mm
- overhead shower: rain flow
- rain shower Ø 220 mm
- rain shower with anti-scale system
- max. rainshower flow 7 l/min
- rotary diverter for fixed-riser shower/hand shower
- height of fittings up to rain shower (bottom edge) 1007mm
- height of fittings up to top edge of elbow 1167mm
- rosette for shower holder Ø 55mm
- rosette for wall mounting Ø 57mm
- rosette for shower mixer Ø 65mm
- gauge 150 mm - 13 mm
- 1500 mm metal shower hose
- 1/2" connection
- Pipe diameter 20 mm
- quick clearing
- This product can help a building meet the requirements of Green Building Rating Systems, e.g. LEED®, BREEAM®, DGNB
- WRAS 2204012

This article does not include a hand shower!

Intrinsic protection against back flow.

	Chrome	26 633 892-00
	Brushed Platinum	26 633 892-06
	Platinum	26 633 892-08
	Dark Chrome	26 633 892-19
	Brushed Durabross (23kt Gold)	26 633 892-28
	Matte Black	26 633 892-33
	Brushed Champagne (22kt Gold)	26 633 892-46
	Champagne (22kt Gold)	26 633 892-47
	Brushed Chrome	26 633 892-93
	Brushed Dark Platinum	26 633 892-99

Required miscellaneous

	<b>Hand shower - Chrome</b>	28 015 979-00
--	-----------------------------	---------------

Required miscellaneous

	<b>Hand shower FlowReduce - Chrome</b>	28 012 979-00 0010
--	--	-----------------------

Required miscellaneous

	<b>Hand shower - Chrome</b>	28 016 979-00
--	-----------------------------	---------------

Required miscellaneous

	<b>Hand shower - Chrome</b>	28 018 979-00
--	-----------------------------	---------------

Required miscellaneous

	<b>SERIES-VARIOUS Hand shower - Chrome</b>	28 027 979-00 0010
--	--	-----------------------

Required miscellaneous

	<b>SERIES-VARIOUS Hand shower - Chrome</b>	28 025 979-00 0010
--	--	-----------------------

Required miscellaneous

	<b>Hand shower FlowReduce - Chrome</b>	28 016 979-00 0010
--	--	-----------------------

Required miscellaneous

	<b>Hand shower - Chrome</b>	28 017 979-00
--	-----------------------------	---------------

Required miscellaneous

	<b>Hand shower - Chrome</b>	28 012 979-00
--	-----------------------------	---------------

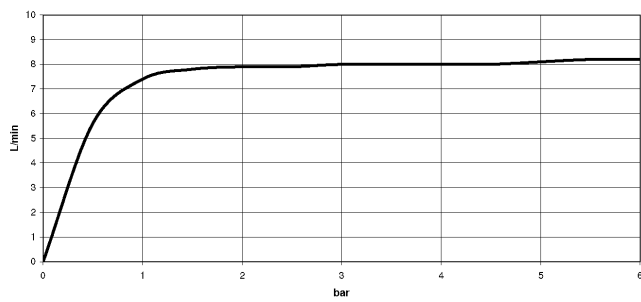
Required miscellaneous

	<b>Hand shower FlowReduce - Chrome</b>	28 018 979-00 0010
--	--	-----------------------

Required miscellaneous

	<b>SERIES-VARIOUS Hand shower - Chrome</b>	28 029 979-00 0010
--	--	-----------------------

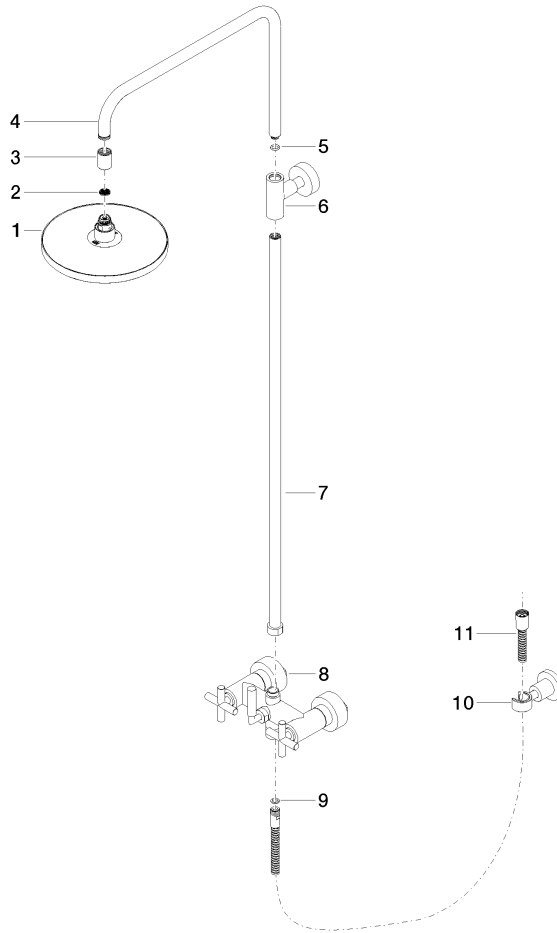
Flow rate chart



Certificates

Belgaqua\_21-023- WRAS\_2204012. LGA\_38735.  
27\_8.

26 633 892



### Spare parts list

No.	Item Number	Name	Quantity used	Delivery time
1	90 12 05 092 20-00	shower	1	10
2	09 23 01 039 90	sieve	1	2
3	09 24 03 177 20-00	adaptor	1	10
4	04 28 22 101 20-00	spout	1	10
5	90 14 10 011 00 90	seal	1	2
6	90 17 11 037 00-00	holder	1	10
7	90 28 22 096 00-00	pipe	1	10
8	04 17 10 020 01-00	fitting	1	10
9	90 14 20 026 00 90	seal	1	2
10	28 050 892-00	TARA Wall bracket - Chrome	1	10
11	28 304 970-00	Metal shower hose 1/2" x 3/8" x 1500 mm - Chrome	1	2