

26 633 892



- shower with fixed riser projection 420mm
- overhead shower: rain flow
- rain shower Ø 220 mm
- rain shower with anti-scale system
- max. rainshower flow 7 l/min
- rotary diverter for fixed-riser shower/hand shower
- height of fittings up to rain shower (bottom edge) 1007mm
- height of fittings up to top edge of elbow 1167mm
- rosette for shower holder Ø 55mm
- rosette for wall mounting Ø 57mm
- rosette for shower mixer Ø 65mm
- gauge 150 mm - 13 mm
- 1500 mm metal shower hose
- 1/2" connection
- Pipe diameter 20 mm
- quick clearing
- This product can help a building meet the requirements of Green Building Rating Systems, e.g. LEED®, BREEAM®, DGNB
- WRAS 2204012

This article does not include a hand shower!

Intrinsic protection against back flow.

	Platinum	26 633 892-08
	Chrome	26 633 892-00
	Brushed Platinum	26 633 892-06
	Dark Chrome	26 633 892-19
	Brushed Durabronze (23kt Gold)	26 633 892-28
	Matte Black	26 633 892-33
	Brushed Bronze	26 633 892-42
	Brushed Champagne (22kt Gold)	26 633 892-46
	Champagne (22kt Gold)	26 633 892-47
	Brushed Chrome	26 633 892-93
	Brushed Dark Platinum	26 633 892-99

26 633 892


Required miscellaneous

	Hand shower - Platinum	28 015 979-08
---	-------------------------------	---------------

Required miscellaneous

	Hand shower - Platinum	28 012 979-08
---	-------------------------------	---------------

Required miscellaneous

	Hand shower FlowReduce - Platinum	28 012 979-08 0010
---	--	-----------------------

Required miscellaneous

	Hand shower - Platinum	28 018 979-08
---	-------------------------------	---------------

Required miscellaneous

	SERIES-VARIOUS Hand shower - Platinum	28 029 979-08 0010
---	--	-----------------------


Required miscellaneous

	SERIES-VARIOUS Hand shower - Platinum	28 025 979-08 0010
---	--	-----------------------

Required miscellaneous

	Hand shower - Platinum	28 016 979-08
---	-------------------------------	---------------


Required miscellaneous

	Hand shower FlowReduce - Platinum	28 016 979-08 0010
---	--	-----------------------

Required miscellaneous

	Hand shower - Platinum	28 017 979-08
---	-------------------------------	---------------

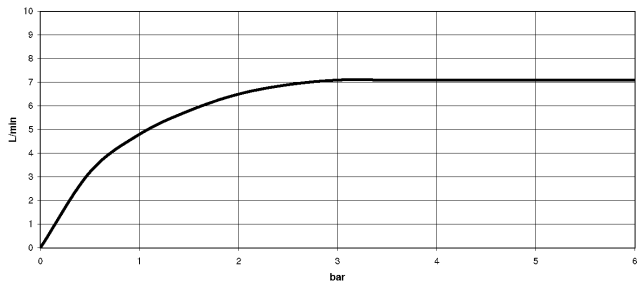
Required miscellaneous

	Hand shower FlowReduce - Platinum	28 018 979-08 0010
---	--	-----------------------

Required miscellaneous

	SERIES-VARIOUS Hand shower - Platinum	28 027 979-08 0010
---	--	-----------------------

Flow rate chart



Codes & Standards

DIN 4109

EN 1717

ISO 3822

Scottish Water
Byelaws

UK Water Supply
Regulations

Ü-Zeichen



TARA Showerpipe without hand shower FlowReduce 220 mm - Platinum

TARA

26 633 892

Certificates

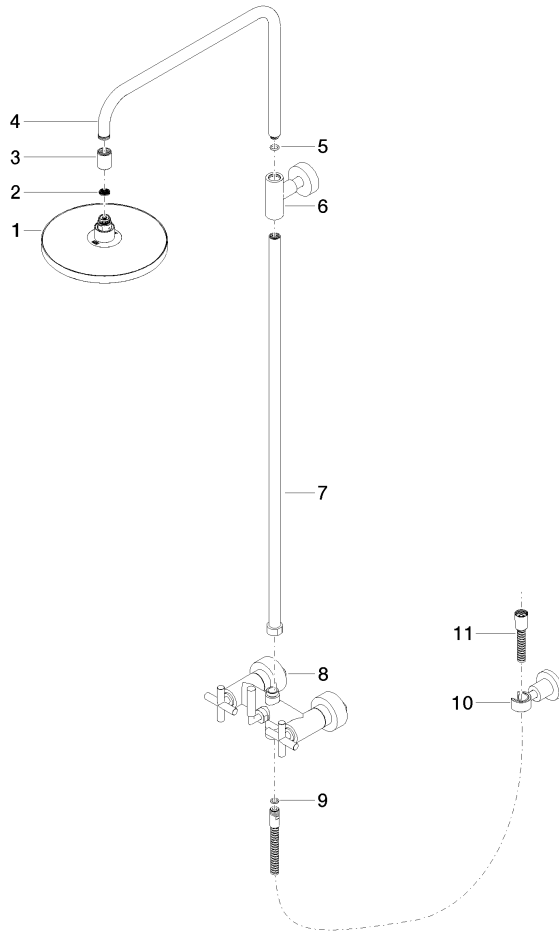
Belgaqua_21-023-2 LGA_38

WRAS_2204

26 633 892

Product version from 4/1/2024

Parts for other finishes can be found here: [Chrome](#)





TARA Showerpipe without hand shower FlowReduce 220 mm - Platinum

TARA

26 633 892

Spare parts list

Product version from 4/1/2024

No.	Item Number	Name	Quantity used	Delivery time
	90 12 05 092 20-08	shower	11	40