



**LULU Three-hole single-lever bath mixer for bath rim or tile edge installation -  
Brushed Platinum**

27 412 710



- spout: circular, air-enriched flow
- max. flow 26.4 l/min at 3 bar flow pressure
- Hand shower: COMPACT RAIN, max. flow rate 6.8 l/min (at 3 bar)
- complete hand shower set with anti-scale system
- automatic bath/shower diverter
- height of mixer 110 mm
- height up to aerator 84 mm
- 215mm projection
- hole diameter spout 32 mm
- hole diameter single-lever mixer 35 mm
- hole diameter for complete hand shower set 32 mm
- rosette for spout 63 x 63mm
- rosette for complete hand shower set 63 x 63mm
- rosette for single-lever mixer 52 x 52mm
- metal shower hose 1750mm with integrated anti-twist protection

Intrinsic protection against back flow.

	Brushed Platinum	27 412 710-06
	Chrome	27 412 710-00

**Recommended miscellaneous**



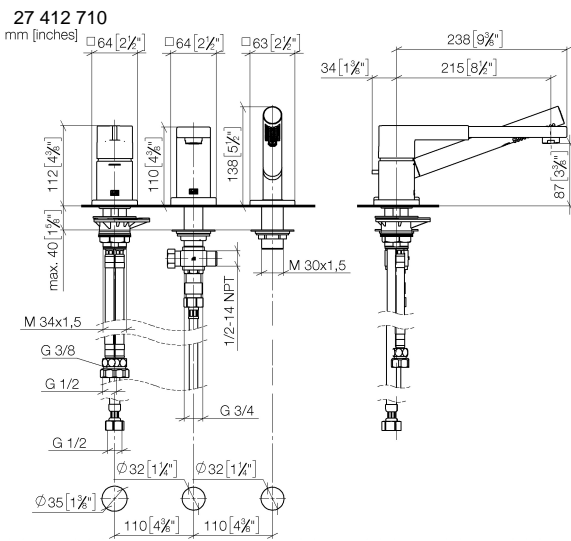
**Perfecto installation kit -** 12 614 970 90

**Recommended miscellaneous**

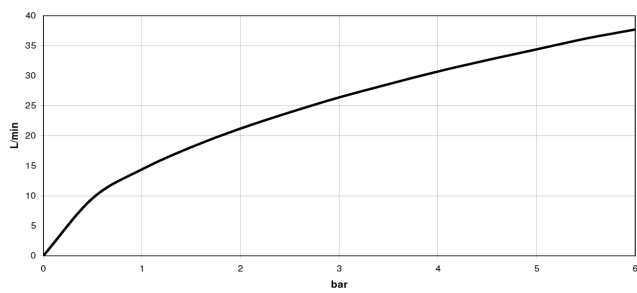


**Decorative caps for Perfecto -  
Brushed Platinum** 12 801 970-06  
• 1 pair

**LULU Three-hole single-lever bath mixer for bath rim or tile edge installation -  
Brushed Platinum**



**Flow rate chart**



**Codes & Standards**

ASME A112.18.1

cUPC

DIN 4109

EN 1717

ISO 3822

Ü-Zeichen



## LULU Three-hole single-lever bath mixer for bath rim or tile edge installation - Brushed Platinum

---

27 412 710

Certificates

---

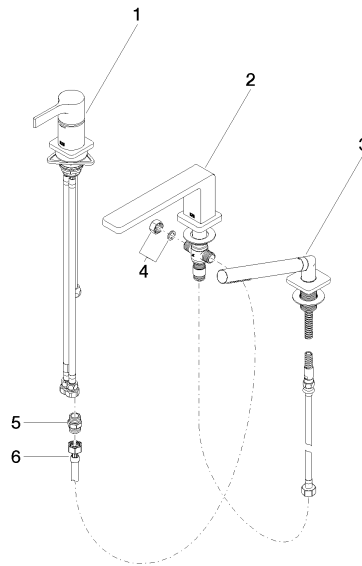
IAPMO\_4976

LGA\_29

Belgaqua\_24-008-2

**LULU Three-hole single-lever bath mixer for bath rim or tile edge installation -  
Brushed Platinum**

27 412 710



**Spare parts list**

No.	Item Number	Name	Quantity used	Delivery time
1	29 300 710-06	LULU Single-lever bath mixer for bath rim or tile edge installation - Brushed Platinum	1	-
Spare part can no longer be ordered, please order the replacement item				
2	13 512 710-06	spout	1	60
3	27 702 710-06	LULU Hand shower set for bath rim or tile edge installation - Brushed Platinum	1	-
Spare part can no longer be ordered, please order the replacement item				
4	04 21 02 006 00 92	cap	1	2
5	90 24 03 168 00 90	nipple	1	2
6	12 502 970 90	High pressure hose 1/2" x 1/2" x 400 mm -	1	2