

27 512 882



- spout: circular, air-enriched flow
- max. flow 23.5 l/min at 3 bar flow pressure
- Hand shower: COMPACT RAIN, max. flow rate 6.8 l/min (at 3 bar)
- complete hand shower set with anti-scale system
- 220mm projection
- with anti-scale system
- automatic bath/shower diverter
- height of mixer 290 mm
- height up to aerator 135 mm
- hole diameter valve 32 mm
- hole diameter spout 32 mm
- hole diameter for complete hand shower set 32 mm
- rosette for spout Ø 55mm
- rosette for complete hand shower set Ø 50mm
- rosette for deck valve Ø 55mm
- metal shower hose 1750mm with integrated anti-twist protection

Available with 260 mm or 300 mm projection on request (x-TRA SERVICE).

Intrinsic protection against back flow.

	Matte Black	27 512 882-33
	Chrome	27 512 882-00
	Brushed Platinum	27 512 882-06
	Platinum	27 512 882-08
	Dark Chrome	27 512 882-19
	Brushed Durabronze (23kt Gold)	27 512 882-28
	Brushed Bronze	27 512 882-42
	Brushed Champagne (22kt Gold)	27 512 882-46
	Champagne (22kt Gold)	27 512 882-47
	Brushed Chrome	27 512 882-93
	Brushed Dark Platinum	27 512 882-99

**Recommended miscellaneous**



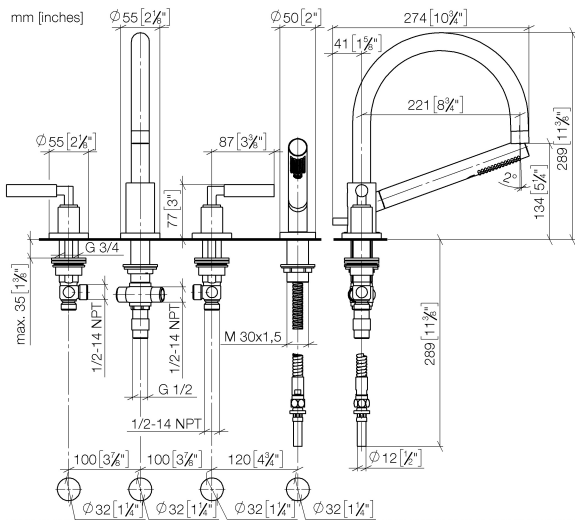
**Perfecto installation kit -** 12 614 970 90

**Recommended miscellaneous**

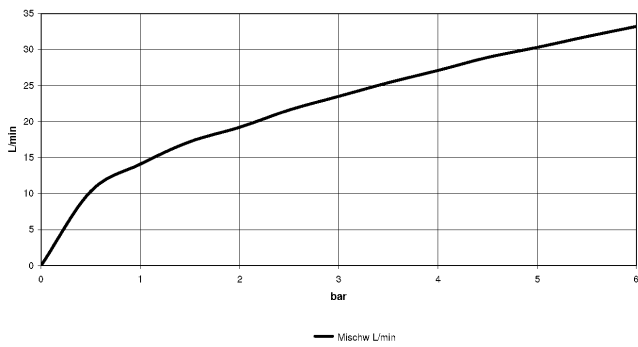


**Decorative caps for Perfecto - Matte Black** 12 801 970-33  
● 1 pair

27 512 882



Flow rate chart



Codes & Standards

ASME A112.18.1

cUPC

DIN 4109

EN 1717

ISO 3822

Ü-Zeichen



## TARA Bath shower set for bath rim or tile edge installation - Matte Black

---

TARA

27 512 882

### Certificates

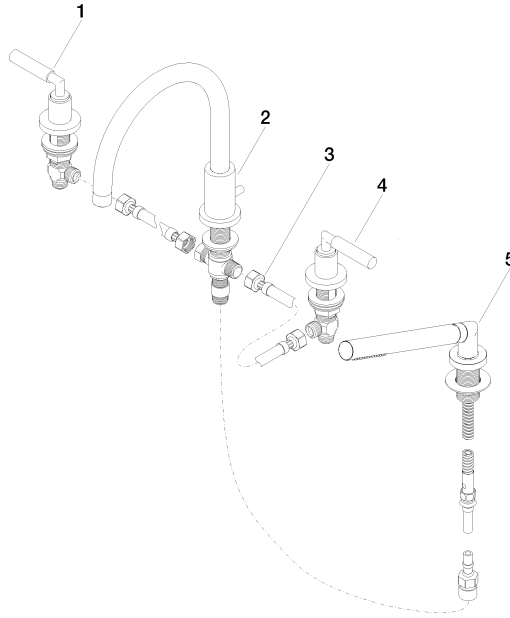
---

Belgaqua\_21-026-2 LGA\_18

IAPMO\_4976

27 512 882

Product version from 4/1/2024





TARA Bath shower set for bath rim or tile edge installation - Matte Black

TARA

27 512 882

**Spare parts list**

**Product version from 4/1/2024**

No.	Item Number	Name	Quantity used	Delivery time
	20 000 882-33	TARA Deck valve clockwise closing - Matte Black	6	-

Spare part can no longer be ordered, please order the replacement item