

VAIA Five-hole bath mixer for deck mounting with diverter - Brushed Dark Platinum

VAIA

27 522 809



- spout: circular, air-enriched flow
- max. flow 21.5 l/min at 3 bar flow pressure
- Hand shower: COMPACT RAIN, max. flow rate 6.8 l/min (at 3 bar)
- complete hand shower set with anti-scale system
- 220mm projection
- automatic bath/shower diverter
- height of mixer 347 mm
- height up to aerator 244 mm
- hole diameter valve 32 mm
- hole diameter spout 32 mm
- hole diameter for complete hand shower set 32 mm
- rosette for complete hand shower set Ø 60mm
- rosette for spout Ø 60mm
- rosette for deck valve Ø 60mm
- metal shower hose 1750mm with integrated anti-twist protection
- WRAS 2310008

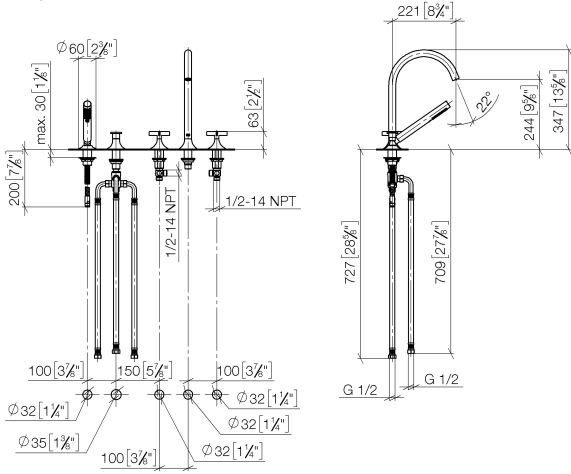
Intrinsic protection against back flow.

	Brushed Dark Platinum	27 522 809-99
	Chrome	27 522 809-00
	Brushed Platinum	27 522 809-06
	Platinum	27 522 809-08
	Dark Chrome	27 522 809-19
	Brushed Durabronze (23kt Gold)	27 522 809-28
	Brushed Bronze	27 522 809-42
	Brushed Champagne (22kt Gold)	27 522 809-46
	Champagne (22kt Gold)	27 522 809-47

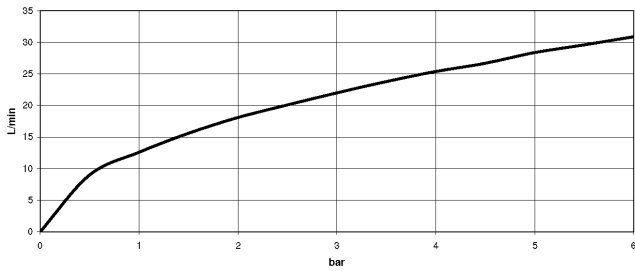
VAIA Five-hole bath mixer for deck mounting with diverter - Brushed Dark Platinum

VAIA

27 522 809
mm [inches]
M 1:10



Flow rate chart



Codes & Standards

ASME A112.18.1

cUPC

DIN 4109

EN 1717

Executive Order
no. 1007

ISO 3822

Ü-Zeichen



VAIA Five-hole bath mixer for deck mounting with diverter - Brushed Dark
Platinum

VAIA

27 522 809

Certificates

WRAS_2310

IAPMO_4976

Belgaqua_22_278_2 LGA_29



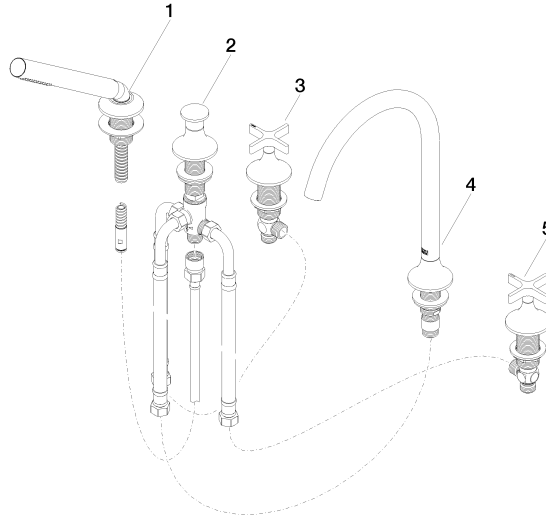
VAIA Five-hole bath mixer for deck mounting with diverter - Brushed Dark Platinum

VAIA

27 522 809

Product version from 3/13/2017

Parts for other finishes can be found here: [Chrome](#)





VAIA Five-hole bath mixer for deck mounting with diverter - Brushed Dark Platinum

VAIA

27 522 809

Spare parts list

Product version from 3/13/2017

No.	Item Number	Name	Quantity used	Delivery time
	27 702 809-99	VAIA Hand shower set for bath rim or tile edge installation - Brushed Dark Platinum	5	30