

27 701 670



Fits: IMO, LULU, MADISON, MEM, TARA, CL.1, LISSÉ, VAIA

- wall bracket with integrated safety shut off valve
- max. standing pressure: 5bar
- hand shower with back flow preventer
- 1/2" shower outlet
- rosette Ø 60 mm
- metal shower hose 1250mm with integrated anti-twist protection

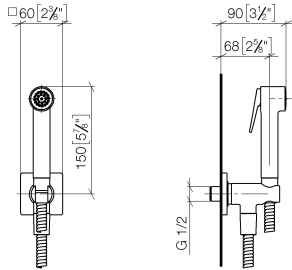
This product does not provide intrinsic protection against backflow in accordance with DIN EN 1717. This product must not be installed and operated in countries where compliance with DIN EN 1717 is stipulated.

The bidet shower must be operated with an upstream main fitting.

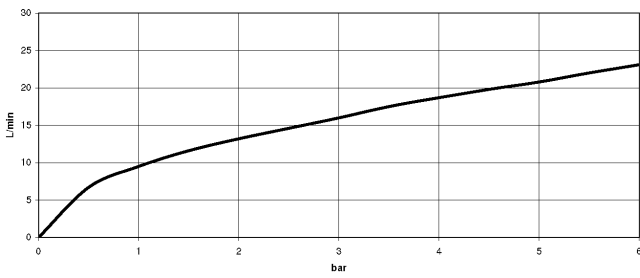
	Brushed Chrome	27 701 670-93
	Chrome	27 701 670-00
	Brushed Platinum	27 701 670-06
	Platinum	27 701 670-08
	Dark Chrome	27 701 670-19
	Brushed Light Gold	27 701 670-27
	Brushed Durabronze (23kt Gold)	27 701 670-28
	Brushed Bronze	27 701 670-42
	Brushed Champagne (22kt Gold)	27 701 670-46
	Champagne (22kt Gold)	27 701 670-47
	Brushed Dark Platinum	27 701 670-99

27 701 670

mm [inches]



Flow rate chart



Codes & Standards

DIN 4109

ISO 3822

Ü-Zeichen



Bidet spray - Brushed Chrome

IMO

27 701 670

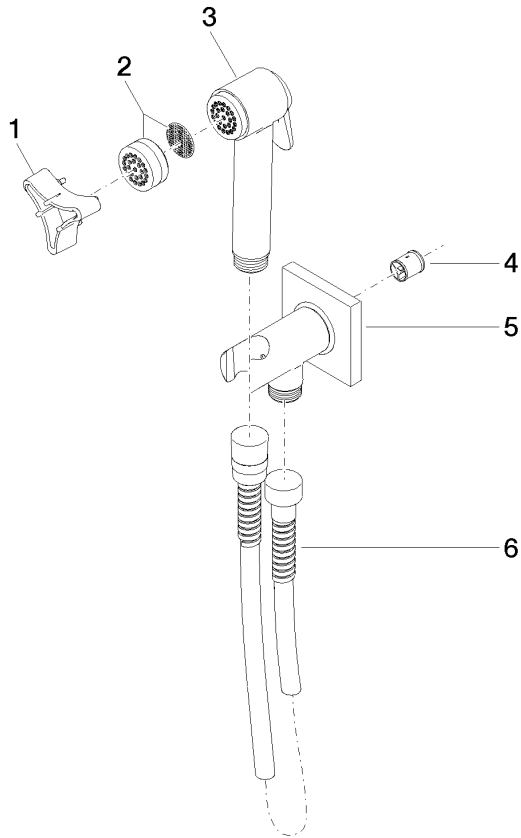
Certificates

LGA_29

27 701 670

Product version from 4/1/2024

Parts for other finishes can be found here: [Chrome](#)





Bidet spray - Brushed Chrome

IMO

27 701 670

Spare parts list

Product version from 4/1/2024

No.	Item Number	Name	Quantity used	Delivery time
	09 30 09 029 90	key	6	2