

Hand shower set with integrated shower holder FlowReduce - Brushed Platinum

TARA

27 802 660



Fits: TARA, VAIA, META

- COMPACT RAIN, max. flow rate 6.8 l/min (at 3 bar)
- with anti-scale system
- 3/8" shower outlet
- metal shower hose 1250mm with integrated anti-twist protection
- rosette Ø 60 mm
- 1/2" connection
- This product can help a building meet the requirements of Green Building Rating Systems, e.g. LEED®, BREEAM®, DGNB

Intrinsic protection against back flow.

	Brushed Platinum	27 802 660-06 0010
	Chrome	27 802 660-00 0010
	Chrome	27 802 660-00
	Brushed Platinum	27 802 660-06
	Platinum	27 802 660-08
	Platinum	27 802 660-08 0010
	Dark Chrome	27 802 660-19
	Dark Chrome	27 802 660-19 0010
	Light Gold	27 802 660-26 0010
	Light Gold	27 802 660-26
	Brushed Light Gold	27 802 660-27 0010
	Brushed Light Gold	27 802 660-27
	Brushed Durabress (23kt Gold)	27 802 660-28 0010
	Brushed Durabress (23kt Gold)	27 802 660-28
	Matte Black	27 802 660-33 0010
	Matte Black	27 802 660-33
	Brushed Bronze	27 802 660-42
	Brushed Bronze	27 802 660-42 0010
	Brushed Champagne (22kt Gold)	27 802 660-46
	Brushed Champagne (22kt Gold)	27 802 660-46 0010
	Champagne (22kt Gold)	27 802 660-47
	Champagne (22kt Gold)	27 802 660-47 0010
	Brushed Chrome	27 802 660-93
	Brushed Chrome	27 802 660-93 0010
	Brushed Dark Platinum	27 802 660-99
	Brushed Dark Platinum	27 802 660-99 0010



Hand shower set with integrated shower holder FlowReduce - Brushed Platinum

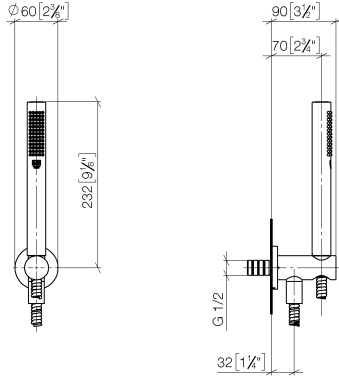
TARA

27 802 660

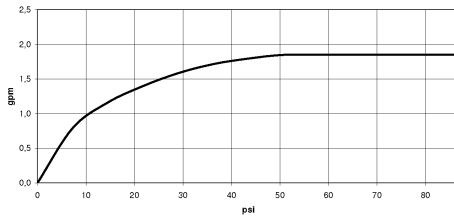
**Hand shower set with integrated shower holder FlowReduce - Brushed
Platinum**

TARA

27 802 660
mm [inches]



Flow rate chart



Codes & Standards

DIN 4109

ISO 3822

Ü-Zeichen



Hand shower set with integrated shower holder FlowReduce - Brushed
Platinum

TARA

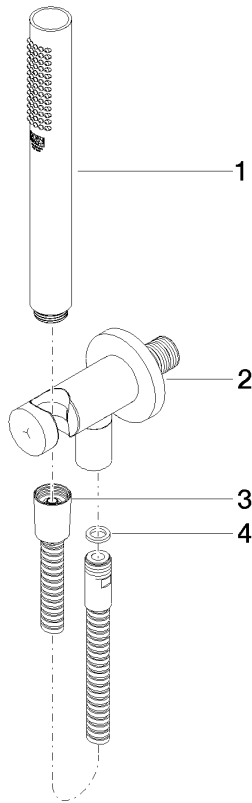
27 802 660
Certificates

LGA_29

27 802 660

Product version from 10/1/2023

Parts for other
finishes can be found
here: [Chrome](#)





Hand shower set with integrated shower holder FlowReduce - Brushed
Platinum

TARA

27 802 660

Spare parts list

Product version from 10/1/2023

No.	Item Number	Name	Quantity used	Delivery time
	90 12 11 140 30-06	shower	4	10