

**WATER TUBE Kneipp wall elbow with hose holder with individual rosettes -
Brushed Platinum**

IMO

27 821 979



Fits: IMO, MEM, CL.1, CYO

- LAMINAR FLOW, max. flow rate 15 l/min (at 3 bar)
- with volume control
- rosette 60 x 60 mm
- holder for Kneipp hose
- 1/2" wall elbow
- without hose

Intrinsic protection against back flow.

Product change as of 1.4.2023: max. flow 15 l/min

	Brushed Platinum	27 821 979-06
	Chrome	27 821 979-00
	Platinum	27 821 979-08
	Dark Chrome	27 821 979-19
	Brushed Light Gold	27 821 979-27
	Brushed Durabronze (23kt Gold)	27 821 979-28
	Matte Black	27 821 979-33
		27 821 979-39
	Brushed Bronze	27 821 979-42
		27 821 979-43
	Brushed Champagne (22kt Gold)	27 821 979-46
	Champagne (22kt Gold)	27 821 979-47
	Brushed Chrome	27 821 979-93
	Brushed Dark Platinum	27 821 979-99

Recommended miscellaneous



Concealed wall elbow - 35 085 970 90
 ● max. recess depth 163 mm
 ● min. recess depth 90 mm

Required miscellaneous



WATER TUBE Kneipp hose white 2000 mm - Brushed Platinum 28 285 979-06
 ● with holding ring
 ● hose nozzle with sleeve M33

Required miscellaneous



WATER TUBE Kneipp hose black 2000 mm - Brushed Platinum 28 286 979-06
 ● with holding ring
 ● hose nozzle with sleeve M33



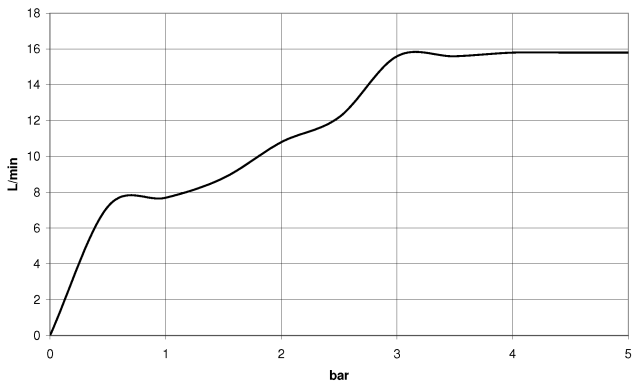
WATER TUBE Kneipp wall elbow with hose holder with individual rosettes - Brushed Platinum

IMO

27 821 979
mm [inches]



Flow rate chart



Codes & Standards

EN 1717



**WATER TUBE Kneipp wall elbow with hose holder with individual rosettes -
Brushed Platinum**

IMO

27 821 979

Certificates

Belgaqua_22_280_2

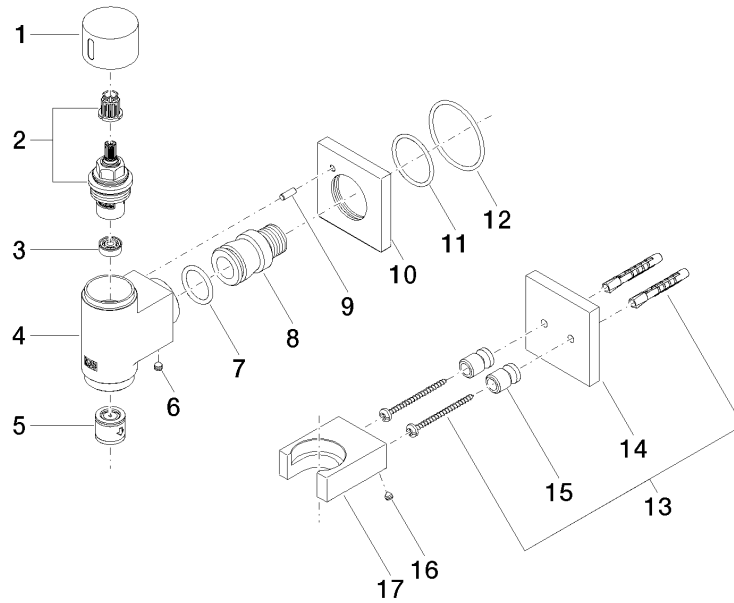
WATER TUBE Kneipp wall elbow with hose holder with individual rosettes -
Brushed Platinum

27 821 979

Product version up to 3/12/2018

Product version from 3/12/2018 to 3/6/2023

Product version from 3/6/2023





WATER TUBE Kneipp wall elbow with hose holder with individual rosettes -
Brushed Platinum

IMO

27 821 979

Spare parts list

Product version up to 3/12/2018

Product version from 3/12/2018 to 3/6/2023

Product version from 3/6/2023

No.	Item Number	Name	Quantity used	Delivery time
	28 486 979-06	connection	8	10