

WATER TUBE Kneipp wall elbow with hose holder with individual rosettes - Brushed Platinum

IMO

27 821 979



Fits: IMO, MEM, CL.1, CYO

- LAMINAR FLOW, max. flow rate 15 l/min (at 3 bar)
- with volume control
- rosette 60 x 60 mm
- holder for Kneipp hose
- 1/2" wall elbow
- without hose

Intrinsic protection against back flow.

Product change as of 1.4.2023: max. flow 15 l/min

	Brushed Platinum	27 821 979-06
	Chrome	27 821 979-00
	Platinum	27 821 979-08
	Dark Chrome	27 821 979-19
	Brushed Light Gold	27 821 979-27
	Brushed Durabronze (23kt Gold)	27 821 979-28
	Matte Black	27 821 979-33
	Brushed Champagne (22kt Gold)	27 821 979-46
	Champagne (22kt Gold)	27 821 979-47
	Brushed Chrome	27 821 979-93
	Brushed Dark Platinum	27 821 979-99

Recommended miscellaneous



- Concealed wall elbow -** 35 085 970 90
- max. recess depth 163 mm
 - min. recess depth 90 mm

Required miscellaneous



- WATER TUBE Kneipp hose white 2000 mm - Brushed Platinum** 28 285 979-06
- with holding ring
 - hose nozzle with sleeve M33

Required miscellaneous

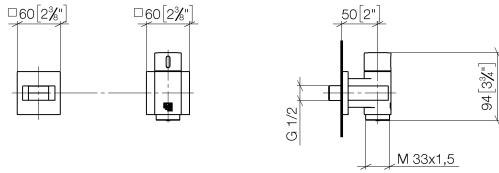


- WATER TUBE Kneipp hose black 2000 mm - Brushed Platinum** 28 286 979-06
- with holding ring
 - hose nozzle with sleeve M33

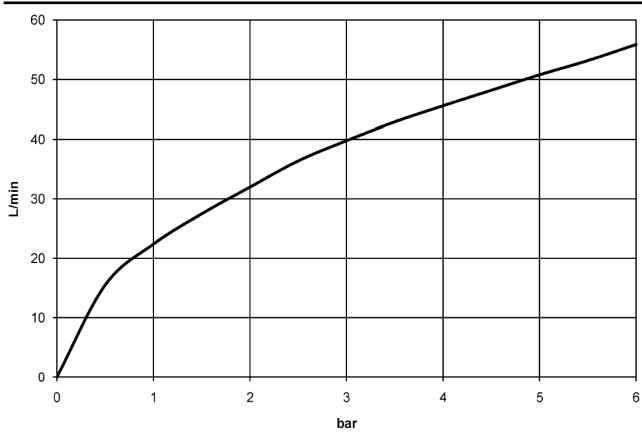
**WATER TUBE Kneipp wall elbow with hose holder with individual rosettes -
Brushed Platinum**

IMO

27 821 979
mm [inches]



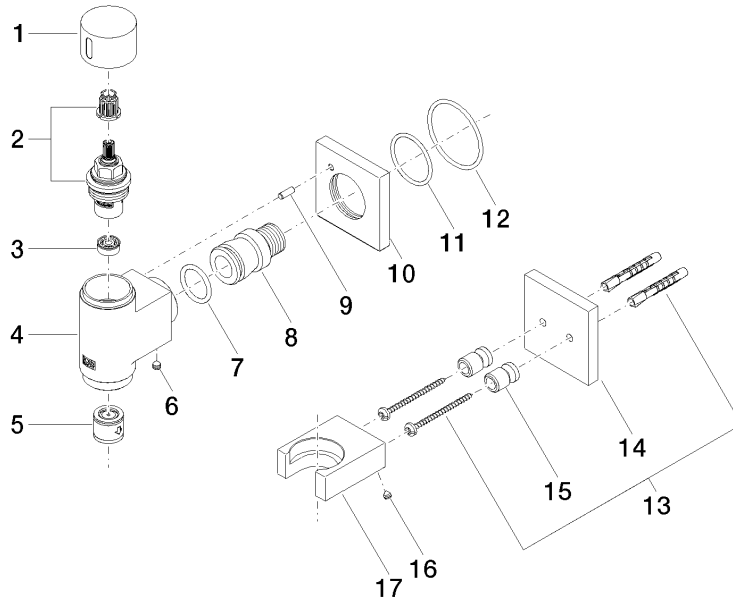
Flow rate chart



Certificates

Belgaqua_22_280_2
7_7.

27 821 979



Spare parts list

No.	Item Number	Name	Quantity used	Delivery time
1	09 20 97 021-06	handle	1	10
2	90 90 03 145 00 90	top	1	2
3	90 23 01 146 00 90	flow reducer	1	2
4	09 11 03 135-06	connection	1	60
5	90 23 01 045 00 90	back-flow preventer	1	2
6	90 31 11 112 00 90	pin	1	2
7	09 14 10 081 90	seal	1	2
8	09 24 03 151 90	nipple	1	2
9	09 31 11 040 90	pin	1	2
10	09 27 97 021-06	rosette	1	10
11	09 14 10 119 90	seal	1	2
12	90 14 10 049 00 90	seal	1	2
13	05 30 31 025 00 90	fixing set	1	2
14	09 27 97 022-06	rosette	1	10
15	08 17 20 726 90	holder	2	2
16	09 31 11 148 90	pin	2	2
17	09 17 20 023-06	holder	1	10