

Rain shower for surface-mounted ceiling installation with light 300 x 240 mm -
Brushed Champagne (22kt Gold)

IMO

28 042 980



- rain shower 300 x 240mm
- PURE RAIN, max. flow rate 12 l/min (at 3 bar)
- PURIFY RAIN, max. flow rate 6 l/min (at 3 bar)
- Distance to ceiling from bottom edge of shower 40 mm
- with anti-scale system
- central LED Spot 3000 K
- Provided by customer: Light switch
- For simultaneous control of the jet types, we recommend the xTool thermostat module
- Not suitable for use in a steam room.

Fits: IMO, LULU, MEM, CL.1, CYO

- WRAS 240502006
- **includes light bulbs with a Class F energy efficiency**

includes light bulbs with a Class F energy efficiency

| | | |
|---|--------------------------------|---------------|
|  | Brushed Champagne (22kt Gold) | 28 042 980-46 |
|  | Chrome | 28 042 980-00 |
|  | Brushed Platinum | 28 042 980-06 |
|  | Platinum | 28 042 980-08 |
|  | Brushed Durabronze (23kt Gold) | 28 042 980-28 |
|  | Matte Black | 28 042 980-33 |
|  | Champagne (22kt Gold) | 28 042 980-47 |
|  | Brushed Chrome | 28 042 980-93 |
|  | Brushed Dark Platinum | 28 042 980-99 |

Required miscellaneous



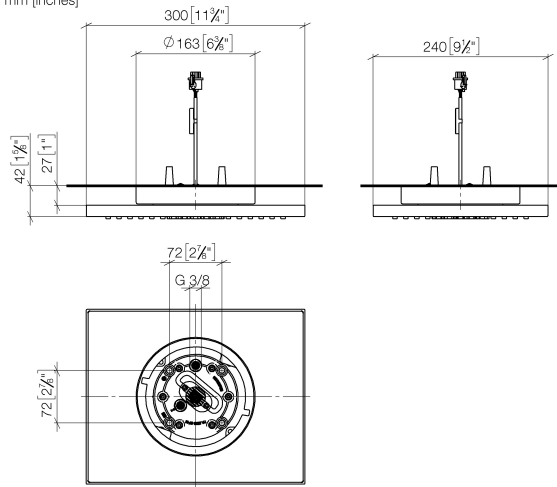
Concealed ceiling installation box for surface-mounted ceiling installation with light - 35 042 970 90

- concealed rough parts
- min. recess depth 90 mm
- max. recess depth 115 mm
- 2x female thread 1/2" connections
- Input 100-240V AC 50-60Hz
- Output 350 mA SELV / Class II
- Provided by customer: Light switch

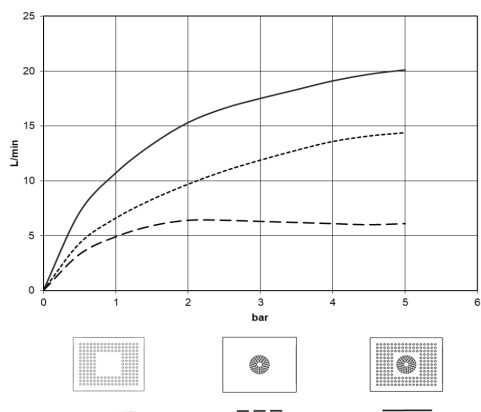
Rain shower for surface-mounted ceiling installation with light 300 x 240 mm -
Brushed Champagne (22kt Gold)

IMO

28 042 980
mm [inches]



Flow rate chart

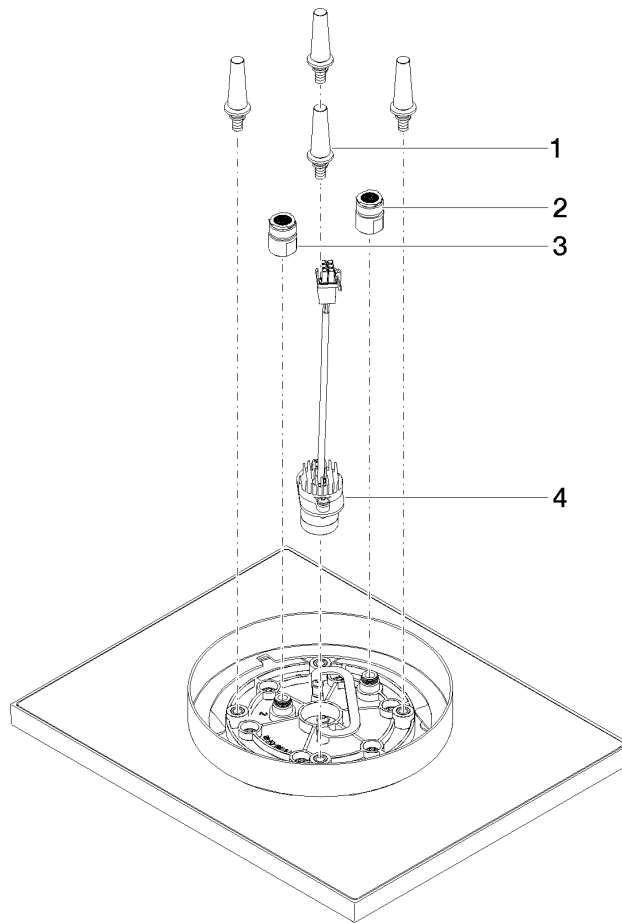


Certificates

LGA_38401.

WRAS_240502006.

28 042 980



Spare parts list

| No. | Item Number | Name | Quantity used | Delivery time |
|-----|--------------------|------------------------|---------------|---------------|
| 1 | 90 17 20 263 00 90 | fixing set | 1 | 2 |
| 2 | 90 24 03 309 01 90 | connection | 1 | 2 |
| 3 | 90 24 03 309 00 90 | connection | 1 | 2 |
| 4 | 90 10 01 225 00 90 | electronic accessories | 1 | 2 |