

Rain shower for recessed ceiling installation with light 300 x 240 mm - Platinum

IMO

28 044 980



Fits: IMO, LULU, MEM, CL.1, CYO

- rain shower 300 x 240mm
 - PURE RAIN, max. flow rate 12 l/min (at 3 bar)
 - PURIFY RAIN, max. flow rate 6 l/min (at 3 bar)
 - min. recess depth 137 mm
 - with anti-scale system
 - central RGBW LED spot
 - RGBW LED ambient lighting
 - For simultaneous control of the jet types, we recommend the xTool thermostat module
 - Provided by customer: Zigbee gateway
 - Not suitable for use in a steam room.
 - WRAS 240502006
- includes light bulbs with a Class G energy efficiency**
- includes light bulbs with a Class G energy efficiency

	Platinum	28 044 980-08
	Chrome	28 044 980-00
	Brushed Platinum	28 044 980-06
	Dark Chrome	28 044 980-19
	Brushed Light Gold	28 044 980-27
	Brushed Durabronze (23kt Gold)	28 044 980-28
	Matte Black	28 044 980-33
	Brushed Champagne (22kt Gold)	28 044 980-46
	Champagne (22kt Gold)	28 044 980-47
	Brushed Chrome	28 044 980-93
	Brushed Dark Platinum	28 044 980-99

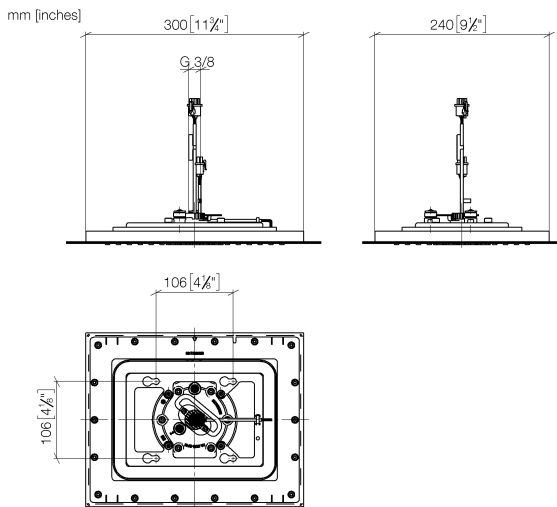
Required miscellaneous



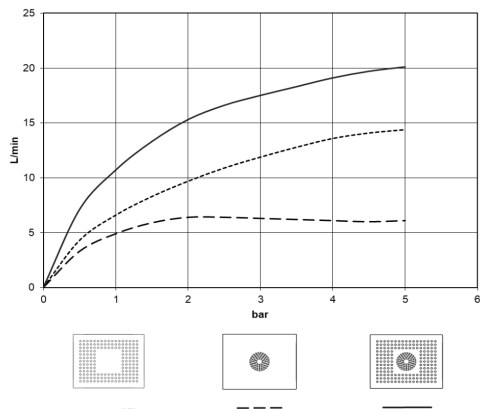
Concealed ceiling installation box for recessed ceiling installation with light - 35 044 970 90

- flush-mounted installation box 360x 300 mm RAL 9003 signal white
- recess depth 137mm
- Supply pipe 7 m
- concealed rough parts
- Input 100-240V AC 50-60Hz
- Output 12V DC SELV / Class II
- ZigBee Light Link RGBW controller
- Provided by customer: Zigbee gateway

28 044 980



Flow rate chart

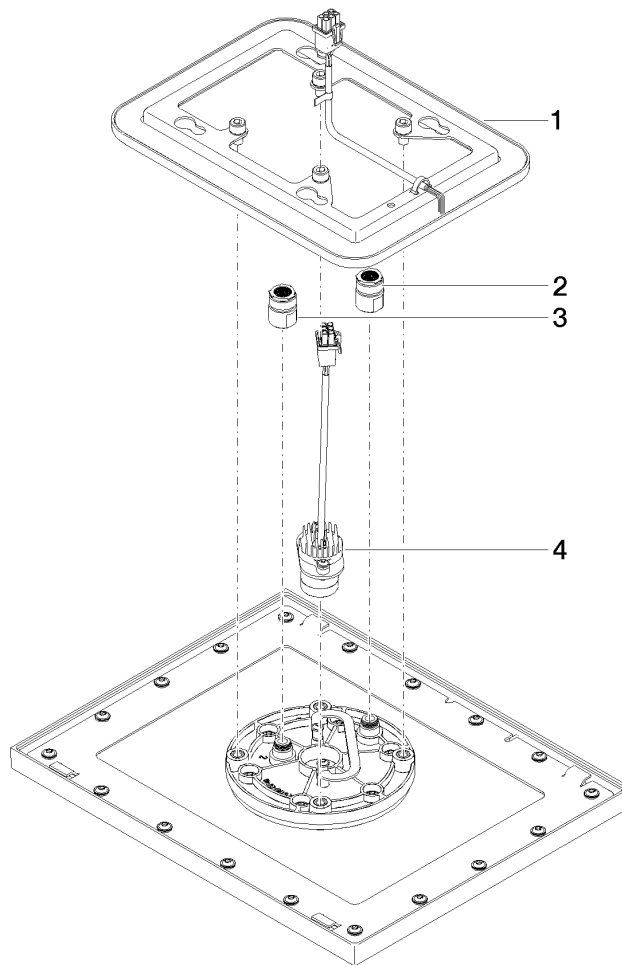


Certificates

LGA_38403.

WRAS_240502006.

28 044 980



Spare parts list

No.	Item Number	Name	Quantity used	Delivery time
1	90 10 01 224 00 90	electronic accessories	1	2
2	90 24 03 309 01 90	connection	1	2
3	90 24 03 309 00 90	connection	1	2
4	90 10 01 225 00 90	electronic accessories	1	2