

## Rain shower for recessed ceiling installation with light 300 x 240 mm - Dark Chrome

IMO

28 044 980



Fits: IMO, LULU, MEM, CL.1, CYO

- rain shower 300 x 240mm
- PURE RAIN, max. flow rate 12 l/min (at 3 bar)
- PURIFY RAIN, max. flow rate 6 l/min (at 3 bar)
- min. recess depth 137 mm
- with anti-scale system
- central RGBW LED spot
- RGBW LED ambient lighting
- For simultaneous control of the jet types, we recommend the xTool thermostat module
- Provided by customer: Zigbee gateway
- Not suitable for use in a steam room.

**includes light bulbs with a Class G energy efficiency**

includes light bulbs with a Class G energy efficiency

|  |                                |               |
|--|--------------------------------|---------------|
|   | Dark Chrome                    | 28 044 980-19 |
|   | Chrome                         | 28 044 980-00 |
|   | Brushed Platinum               | 28 044 980-06 |
|   | Platinum                       | 28 044 980-08 |
|   | Brushed Durabronze (23kt Gold) | 28 044 980-28 |
|   | Matte Black                    | 28 044 980-33 |
|   | Brushed Champagne (22kt Gold)  | 28 044 980-46 |
|   | Champagne (22kt Gold)          | 28 044 980-47 |
|   | Brushed Chrome                 | 28 044 980-93 |
|  | Brushed Dark Platinum          | 28 044 980-99 |

### Required miscellaneous



#### Concealed ceiling installation box for recessed ceiling installation with light - 35 044 970 90

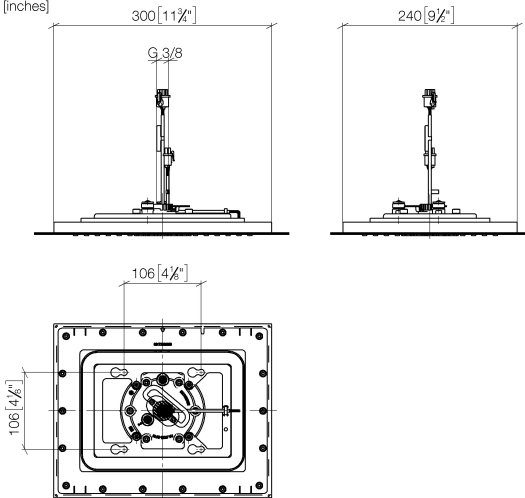
- concealed rough parts
- flush-mounted installation box 360x300 mm RAL 9003 signal white
- recess depth 137mm
- Supply pipe 7 m
- Input 100-240V AC 50-60Hz
- Output 12V DC SELV / Class II
- ZigBee Light Link RGBW controller
- Provided by customer: Zigbee gateway

Rain shower for recessed ceiling installation with light 300 x 240 mm - Dark Chrome

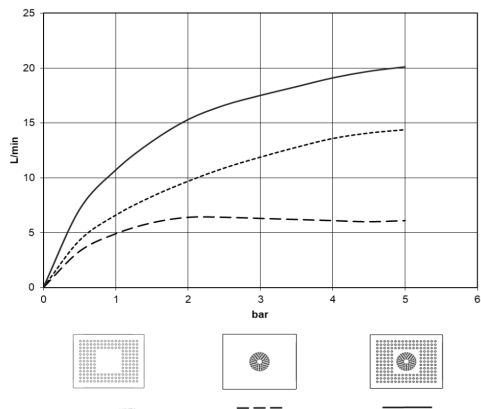
IMO

28 044 980

mm [inches]



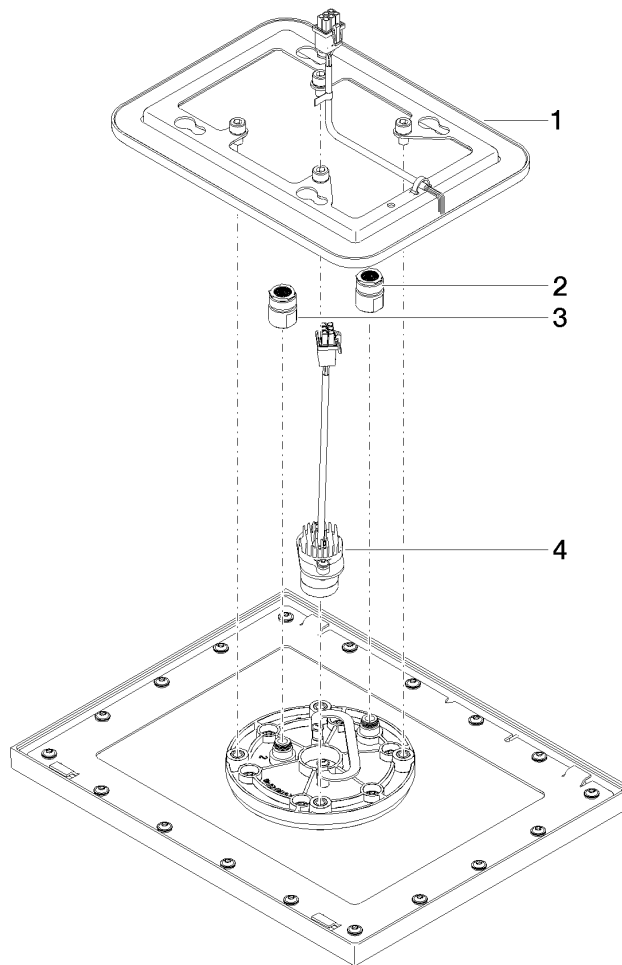
Flow rate chart



Certificates

LGA\_38403.

28 044 980



### Spare parts list

| No. | Item Number        | Name                   | Quantity used | Delivery time |
|-----|--------------------|------------------------|---------------|---------------|
| 1   | 90 10 01 224 00 90 | electronic accessories | 1             | 2             |
| 2   | 90 24 03 309 01 90 | connection             | 1             | 2             |
| 3   | 90 24 03 309 00 90 | connection             | 1             | 2             |
| 4   | 90 10 01 225 00 90 | electronic accessories | 1             | 2             |