

Rain shower for recessed ceiling installation with light 300 x 240 mm - Champagne (22kt Gold)

IMO

28 044 980



Fits: IMO, LULU, MEM, CL.1, CYO

- rain shower 300 x 240mm
 - PURE RAIN, max. flow rate 12 l/min (at 3 bar)
 - PURIFY RAIN, max. flow rate 6 l/min (at 3 bar)
 - min. recess depth 137 mm
 - with anti-scale system
 - central RGBW LED spot
 - RGBW LED ambient lighting
 - For simultaneous control of the jet types, we recommend the xTool thermostat module
 - Provided by customer: Zigbee gateway
 - Not suitable for use in a steam room.
 - WRAS 240502006
- includes light bulbs with a Class G energy efficiency**

includes light bulbs with a Class G energy efficiency

| | | |
|---|--------------------------------|---------------|
|  | Champagne (22kt Gold) | 28 044 980-47 |
|  | Chrome | 28 044 980-00 |
|  | Brushed Platinum | 28 044 980-06 |
|  | Platinum | 28 044 980-08 |
|  | Dark Chrome | 28 044 980-19 |
|  | Brushed Light Gold | 28 044 980-27 |
|  | Brushed Durabronze (23kt Gold) | 28 044 980-28 |
|  | Matte Black | 28 044 980-33 |
|  | Brushed Champagne (22kt Gold) | 28 044 980-46 |
|  | Brushed Chrome | 28 044 980-93 |
|  | Brushed Dark Platinum | 28 044 980-99 |

Required miscellaneous



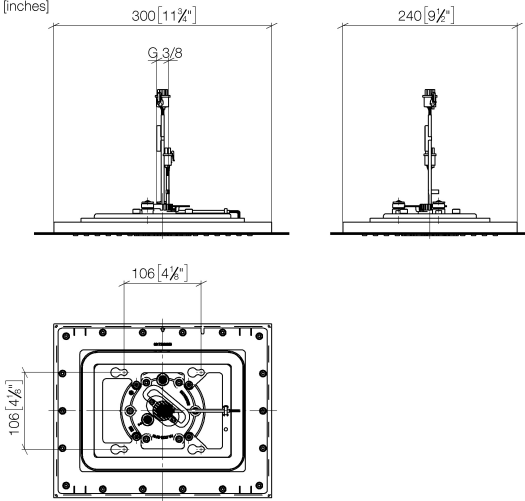
Concealed ceiling installation box for recessed ceiling installation with light - 35 044 970 90

- concealed rough parts
- flush-mounted installation box 360x300 mm RAL 9003 signal white
- recess depth 137mm
- Supply pipe 7 m
- Input 100-240V AC 50-60Hz
- Output 12V DC SELV / Class II
- ZigBee Light Link RGBW controller
- Provided by customer: Zigbee gateway

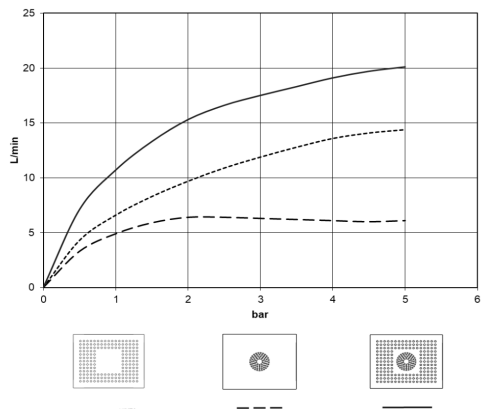
Rain shower for recessed ceiling installation with light 300 x 240 mm -
Champagne (22kt Gold)

IMO

28 044 980
mm [inches]



Flow rate chart

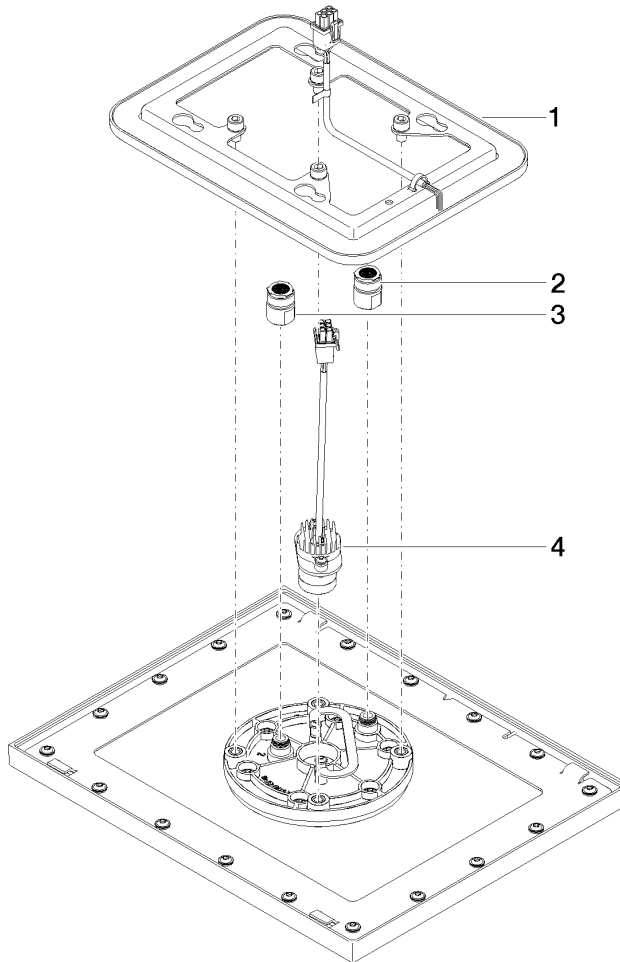


Certificates

LGA_38403.

WRAS_240502006.

28 044 980



Spare parts list

| No. | Item Number | Name | Quantity used | Delivery time |
|-----|--------------------|------------------------|---------------|---------------|
| 1 | 90 10 01 224 00 90 | electronic accessories | 1 | 2 |
| 2 | 90 24 03 309 01 90 | connection | 1 | 2 |
| 3 | 90 24 03 309 00 90 | connection | 1 | 2 |
| 4 | 90 10 01 225 00 90 | electronic accessories | 1 | 2 |