

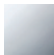


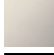



MADISON Rain shower with wall fixing 200 mm - Chrome

MADISON

28 545 977



- 435mm projection
- rain shower Ø 200 mm
- PURE RAIN, max. flow rate 14 l/min (at 3 bar)
- Function from: 8 l/min
- rosette Ø 55 mm
- 1/2" connection
- with anti-scale system

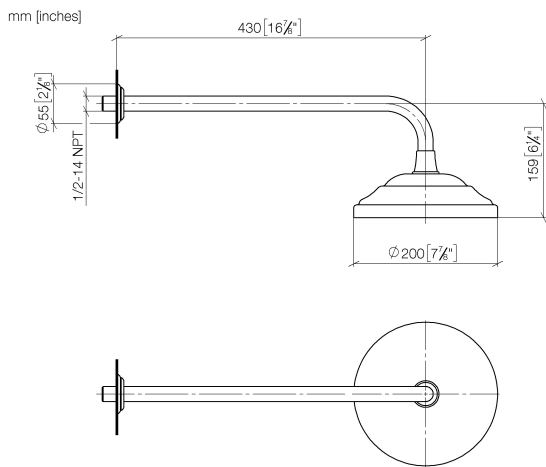
| | | |
|-----------------------------------------------------------------------------------|-------------------------------|---------------|
|  | Chrome | 28 545 977-00 |
|  | brushed chrome | 28 545 977-93 |
|  | Brushed Platinum | 28 545 977-06 |
|  | Platinum | 28 545 977-08 |
|  | Durabrass (23kt Gold) | 28 545 977-09 |
|  | Brushed Durabrass (23kt Gold) | 28 545 977-28 |
|  | Brushed Dark Platinum | 28 545 977-99 |

Recommended miscellaneous

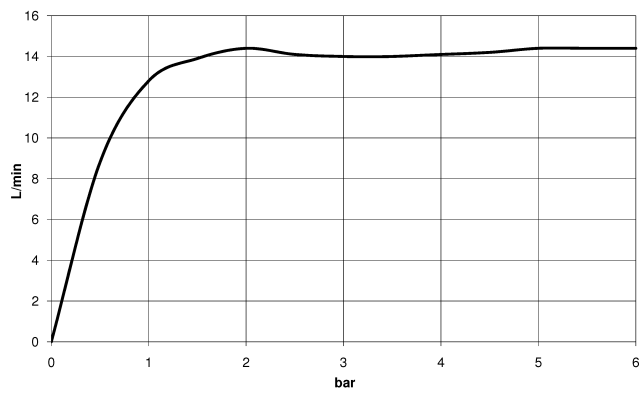


- Concealed wall elbow -** 35 085 970 90
- max. recess depth 163 mm
 - min. recess depth 90 mm

28 545 977



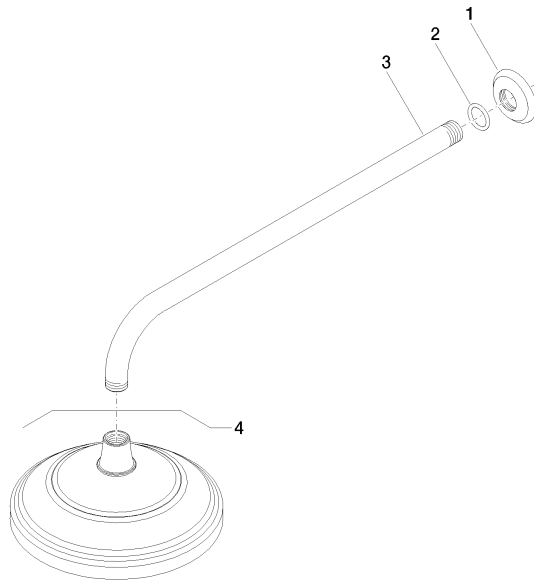
Flow rate chart



Certificates

DVGW_DW- LGA_38654.
6517DN0118.

28 545 977



Spare parts list

| No. | Item Number | Name | Quantity used | Delivery time |
|-----|--------------------|------------|---------------|---------------|
| 1 | 09 27 35 003-00 | rosette | 1 | 10 |
| 2 | 90 14 10 026 00 90 | seal | 1 | 2 |
| 3 | 09 11 03 017-00 | connection | 1 | 10 |